

VLX™ Wash

l u m i n a i r e



The VARI*LITE® VLX™ Wash Luminaire is the next generation of solid-state lighting from the company that started the revolution in automated lighting.

The VLX wash gives you all the benefits of LED technology and the best visual performance characteristics of traditional automated luminaires. VLX offers stunning colors and intensity, multi-year source life and high reliability. Combined with low energy consumption and maintenance costs, the VARI*LITE® VLX wash resets the bar for all other LED fixtures.

Seven, replaceable custom 120 watt RGBW LED chipsets provide output that offers three times the efficacy of comparable tungsten sources. The total system provides approximately 14,000 lumens of output, and the 10,000 hour source life of the chip ensures that lamp replacement costs are a thing of the past. 70% lumen intensity maintenance over that time guarantees that the VLX wash will remain powerful and bright well into the future.

Because of the internal beam homogenization system, (patents pending) color mixing is smooth, natural, and free of "color shadowing" effects associated with other LED fixtures. Additionally, the VLX wash offers a dynamic CRI adjustment, a continuously adjustable color temperature white range between approximately 3000 and 9000 Kelvin, and seamless color mixing that all combine to create a single source that behaves like familiar arc or tungsten luminaires without the associated costs and inefficiencies inherent in those systems.

Zoom control is achieved by the use of a patented optical zoom system that offers a zoom range from approximately 23 to 58 degrees. Should a tighter beam be desired, the entire zoom system can be easily removed from the luminaire for a fixed field angle of 22 degrees. Accessory mounting points are included allowing the attachment of additional, aftermarket beam control devices such as an extendible top hat.

All movements are smooth, silent, and accurate under the control of the time-proven Vari-Lite three phase motor system with a full 540 degrees of pan and 270 degrees of tilt control.

The luminaire offers five-pin DMX in and thru connectors and a backlit menu panel for easy installation and operation. Control is achieved through a variety of DMX consoles and output devices. Large, rugged handles insure easy installation, and subdued style and understated lines allow for seamless integration into any lighting rig or stage setting. Pan and tilt transport/service locks and low fixture weight make moving the VLX wash as simple and efficient as it's operation.

The VLX wash. Only from Vari-Lite. Accelerating LED lighting.

Programmable Functions

Intensity Control:	Smooth, high resolution dimming control of R, G, B, and W LED's.
Color Mixing System:	Seven x 120 watt, replaceable custom RGBW LED chipsets. Each chipset contains high density red, green, blue, and white LED emitters.
Zoom Optics:	Patented optical zoom system with continuously variable field angle from approximately 23° to 58°. (Zoom module is easily removable for fixed field angle of 22°.)
Strobe:	High speed with multiple strobe effects.
Pan and Tilt:	Smooth, time-controlled continuous motion by way of a pair of three-phase stepper motor systems.
Range:	Pan - 540°, Tilt - 270°.
Accuracy:	0.3° resolution.

Description

Source:	Seven x 120 watt, replaceable custom RGBW chipsets. Color Temp. White: Variable between approximately 3000 and 9000 Kelvin. CRI: Dynamically adjustable Manufacturer Rated Life: In excess of 10,000 hours. (at full RGBW) Output: Approximately 14,000 lumens (white light).
Power Requirements:	Standard AC power distribution from 100-240VAC, 50/60Hz. The unit requires up to 10A depending on the AC supply voltage.
Operational Temperature:	-20° to 122°F (-29° to 50°C)
Cooling:	Variable forced air cooling.
DMX Control:	Completely compatible with a wide variety of DMX512 lighting control consoles. 23 channels. 5-pin in and thru DMX.
Mounting Position:	May be mounted and operated in any orientation.
Spacing:	Hangs on 22 inch (55.9 cm) centers.
Weight:	62 lbs. (28 kg.) with included pair of hanging rails.

Ordering Information

Luminaires:	
20.9690.0001	VLX Wash Luminaire
20.9690.0001.02	VLX Wash Luminaire, White Paint
Accessories:	
22.9620.0194	Safety Cable Assembly
28.8500.0054	USB Luminaire Programming Kit
55.6840.0001	Truss Hook, Mega-Clamp (For round and square pipe.)
55.6841.0001	Truss Hook, Mega-Claw (For 2" round pipe.)



PHILIPS

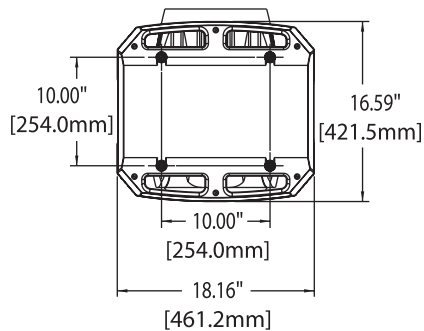
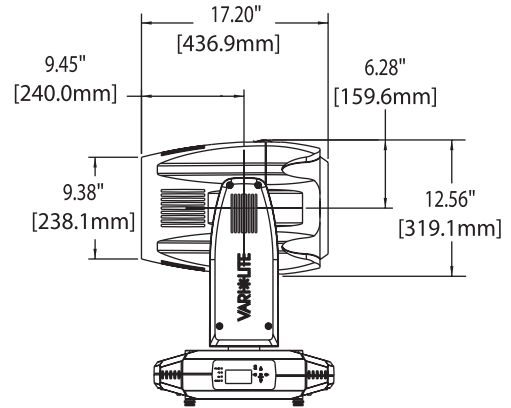
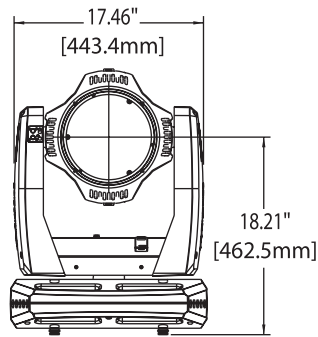
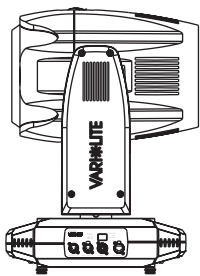
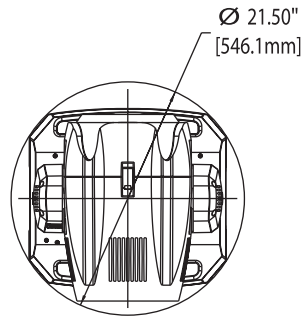
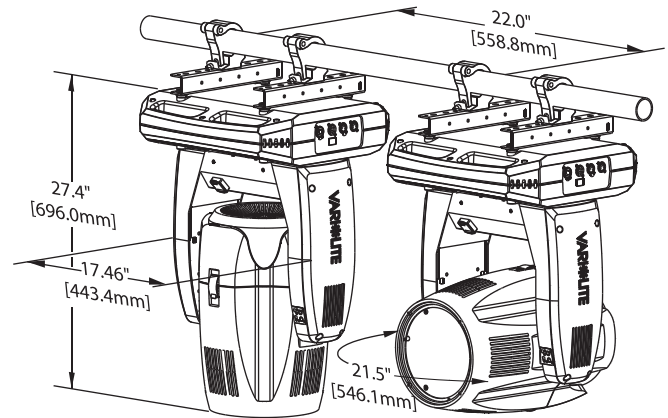
VARI*LITE®

VLX™ Wash

l u m i n a i r e

Photometric Data

Zoom	LED Mode	Field Angle	Lumens	CCT
Narrow	RGBW	23	12244	9272
Wide	RGBW	58	10857	8523
Without Lens Array	RGBW	22	13922	8866



PHILIPS
VARI*LITE®

©2009 Philips Group. All rights reserved. Printed in the U.S.A. VARI*LITE® is a trademark owned by Philips Group and is registered in the United States and other countries. VLX™ and the Vari-Lite Asterisk are also trademarks owned by Philips Group. Certain products listed in this document may be protected by applicable patents and patents pending. Philips will aggressively defend all of its intellectual property. We reserve the right to change details of design, materials and finishes. Specifications are subject to change without notice. VARI*LITE® automated lighting equipment is made in the U.S.A.



Vari-Lite
10911 Petal Street
Dallas, TX 75238
1.877.VARILITE
fax: 214.647.8038
www.vari-lite.com



VLX_100209