

VL550D Wash

l u m i n a i r e

Tungsten with Integral IGBT Dimmer Programmable Functions

Intensity Control:
Color Mixing System:

Integral IGBT Dimmer.
Patented DICHRO*TUNE radial color changing mechanism features independent magenta, blue, and amber color control. All motors utilize a noise reducing, drive system that quiets operation during movement and also while static.

Beam Control:

A selection of six, easily interchangeable front lenses work with the internal radial diffusing mechanism to provide a variety of beam sizes and shapes. (Stipple lens comes included in the standard model.)

Pan and Tilt:

Smooth, time-controlled continuous motion by way of a high-power stepper motor system capable of 0.3° resolution.

Range:

Pan - 540°, Tilt - 270°.

Description

Source:

120V/1200W Tungsten Halogen Lamp Color Temperature: 3200K
230V/1000W Tungsten Halogen Lamp Color Temperature: 3200K
100-240 VAC 50/60 Hz. (Draws 6 to 14 Amps depending on lamp / input voltage.)

Power Requirements:

Reflector:

Precision parabolic glass reflector system with dichroic cold mirror coating.

Operational Temperature:

-20° to 122°F (-29° to 50°C)

Cooling:

Natural convection cooling supported by on-demand micro-fans for high temperature applications.

Control:

Completely compatible with a wide variety of DMX512 lighting control consoles.

DMX Channels:

8 - 13 channels depending upon model selected.

Mounting Position:

May be mounted and operated in any orientation.

Spacing:

Hangs on 21 inch (53.34 cm) centers.

Weight:

48 lbs (21.8 kg).

Ordering Information

Standard Color Dichroic Glass:

20.9683.0002

VL550D Wash, 120V Dimmer, Standard DICHRO*TUNE Color System, Includes 120V 1200W Lamp and Stipple Lens (NSP)

20.9683.0002.02

VL550D Wash, WHITE, 120V Dimmer, Standard DICHRO*TUNE Color System, Includes 120V 1200W Lamp and Stipple Lens (NSP)

20.9683.0003

VL550D Wash, 230V Dimmer, Standard DICHRO*TUNE Color System, Includes 230V 1000W Lamp and Stipple Lens (NSP)

20.9683.0003.02

VL550D Wash, WHITE, 230V Dimmer, Standard DICHRO*TUNE Color System, Includes 230V 1000W Lamp and Stipple Lens (NSP)

Pastel Color Dichroic Glass:

20.9683.0012

VL550D Wash, 120V Dimmer, Pastel DICHRO*TUNE Color System, Includes 120V 1200W Lamp

20.9683.0012.02

VL550D Wash, WHITE, 120V Dimmer, Pastel DICHRO*TUNE Color System, Includes 120V 1200W Lamp

20.9683.0013

VL550D Wash, 230V Dimmer, Pastel DICHRO*TUNE Color System, Includes 230V 1000W Lamp

20.9683.0013.02

VL550D Wash, WHITE, 230V Dimmer, Pastel DICHRO*TUNE Color System, Includes 230V 1000W Lamp

Accessories:

71.2529.0120

120V/1200W Tungsten Replacement Lamp

71.2526.0230

230V/1000W Tungsten Replacement Lamp

42.9685.0201

Clear Lens (VNSP)

42.9685.0207

Stipple Lens (NSP) Standard with Fixture

42.9685.0203

8-Row Lenticular Lens (MFL)

42.9685.0206

10-Row Lenticular Lens (MFL)

42.9685.0204

12-Row Lenticular Lens (WFL)

42.9685.0205

Buxom Lens (VWFL)

22.9620.0194

Safety Cable Assembly

28.8500.0054

USB Luminaire Programming Kit

55.6840.0001

Truss Hook, Mega-Clamp (Round and Square)

55.6841.0001

Truss Hook, Mega-Claw (for 2" Round Tube)

PC1BE

AC Input Cable, PowerCon with Bare End (no connector), 1 Meter

PC1GP

AC Input Cable, PowerCon with Stage Pin (Male), 1 Meter

PC1GTL

AC Input Cable, PowerCon with Twist Lock (Male), 1 Meter, 125V

PC1GTL208

AC Input Cable, PowerCon with Twist Lock (Male), 1 Meter, 250V

PC1GR

AC Input Cable, PowerCon with Edison (Male), 1 Meter



Back by popular demand, the VARI*LITE VL550D Wash luminaire is based upon the Emmy® Award-winning VL5 Wash luminaire, but with significant design improvements. The drive system quiets all two-phase motors both when moving and static. Three-phase, ultra quiet stepper motors provide for smooth and quiet pan and tilt operation.

The patented and innovative DICHRO*TUNE radial color mixing system employs three sets of 16 radially mounted dichroic blades – magenta, blue, and amber – designed to produce a smooth, full spectrum of color cross-fades.

This luminaire is also available with pastel versions of the standard colors. The pastel colors offer a softer Broadway-type color palette often used in live theater.

In addition to its internal dimmer for intensity control, the VL550D utilizes 16 radially mounted diffuser planes to control beam spread. For additional beam control, the VL550D may be purchased with six interchangeable lens options, including clear, stipple (included in stock fixture), 8-row, 10-row, 12-row, and Buxom.

The VL550D is designed with natural convection cooled lamps, and internally cooled electronics which utilize low velocity, low noise micro-fans. Two on-demand fans are mounted internally in the yoke arms and activate only in extreme conditions where ambient temperature exceeds 41° C, or if the fixture is mounted in a horizontal position. User override is possible through the unit's menu display.

The VL550D is a stand-alone fixture with no additional on-board equipment required. Simply plug in DMX512 and power, and the VL550D may be controlled through a variety of DMX512 lighting control consoles.

The VL550D comes standard with an on-board, backlit, invertible LCD display. This enhanced display is easy to read with or without the backlight on.



VL550D Wash

l u m i n a i r e

Tungsten with
Integral IGBT Dimmer

Specifications

The unit shall be an integrally designed, remote controlled, motorized wash luminaire. The head, yoke, and enclosure housing are constructed of aluminum alloy and steel for lightweight strength and durability. The front nose ring and rear housing shall be hinged and latched, providing easy access to the lamp and lens for replacement.

Each unit shall be equipped with an on-board microprocessor to control all actions of the luminaire, providing diagnostic and self-calibration functions, as well as internal test routines and software update capabilities.

Each unit shall have three-color changers holding a minimum of 16 frames of standard dichroic media (magenta, blue, and amber), or with a pastel color mixing set as requested by the specifier, providing a full spectrum of color cross-fades, with a wide range in the saturated colors.

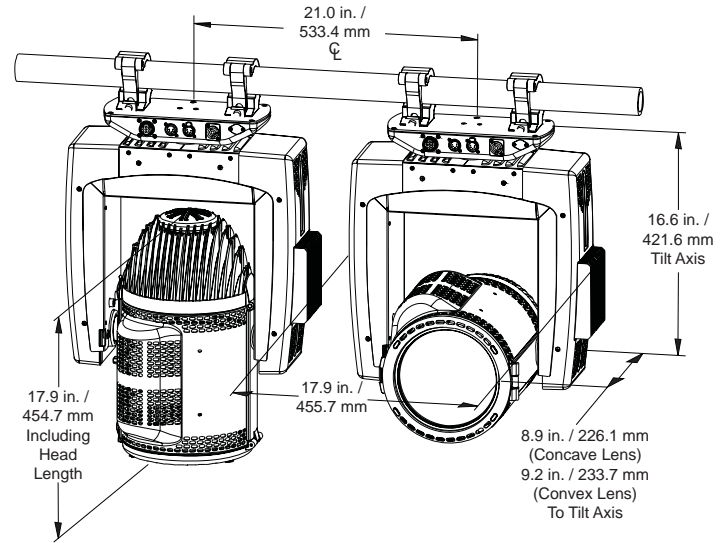
Each unit shall contain one diffuser mechanism holding a minimum of 16 glass diffuser panels that intercept the beam and provide continuous time variable diffusion range for each of the available lenses. Unit shall utilize a drive system that quiets all two-phase motors both when moving and static. Unit shall utilize three-phase, ultra quiet stepper motors for smooth and quiet pan and tilt operation.

Each unit shall use a 120VAC / 1200W, or a 230VAC / 1000W, tungsten halogen lamp, and contain an integral yoke-mounted Insulated Gate Bi-Polar Transistor (IGBT) dimmer matched with the voltage of the lamp. The IGBT dimmer shall be the only source for dimming of the lamp and offer short-circuit, overload, and thermal protection.

Each unit shall have a 3200-degree color temperature output. Both the unit and the integral IGBT dimmer shall be natural convection cooled with the added use of on-demand micro-fan control.

Pastel (Dichroic Glass) Feature:

Pastel Color Feature: As an option, the luminaire shall be made available with "pastel" or lighter colored magenta and blue color filters. The luminaire, fitted with pastel-colored dichroic glass, shall maintain the electrical specifications of the standard version of the VL550D Wash luminaire.



Photometric Data

Shown with accessories that are sold separately.

1200W 120V Lamp (3200K Color Temperature)						
Lens	Lumens	Candela (cd)	Foot Candles (measured at 124 inches)	Lux (measured at 3.149 meters)	Beam Angle (degrees)	Field Angle (degrees)
Clear	6,010	377,632	2,516	27,143	6.5	14.0
Stipple	6,140	284,791	2,544	27,467	7.9	16.2
8-Row	4,680	93,761	1,163	12,489	12.9	19.0
10-Row	4,940	92,573	1,377	14,812	12.2	20.8
12-Row	3,400	30,358	941	10,143	18.6	30.0
Buxom	3,040	29,153	1,868	20,245	24.2	43.3

1000W 230V Lamp (3200K Color Temperature)						
Lens	Lumens	Candela (cd)	Foot Candles (measured at 124 inches)	Lux (measured at 3.149 meters)	Beam Angle (degrees)	Field Angle (degrees)
Clear	4,790	343,614	1,978	21,263	6.4	13.0
Stipple	4,910	239,961	1,955	21,004	7.8	15.6
8-Row	3,820	78,833	973	10,500	14.2	19.0
10-Row	4,170	73,418	1,092	11,747	14.9	20.8
12-Row	2,730	25,623	762	7,997	19.7	29.1
Buxom	2,210	25,532	1,447	15,583	22.2	39.4

PHILIPS
VARI*LITE

©2013 Philips Group. All rights reserved. Printed in the U.S.A. We reserve the right to change details of design, materials and finishes. Specifications are subject to change without notice. VARI*LITE automated lighting equipment is made in the U.S.A. The Emmy name is the trademarked property of The Academy of Television Arts & Sciences and the National Academy of Television Arts & Sciences.

Vari-Lite
10911 Petal Street
Dallas, TX 75238
1.877.VARILITE
fax: 214.647.8038
www.vari-lite.com



VL550D_082713