

VL550 80V Wash

l u m i n a i r e

Tungsten with Integral 80V Dimmer Programmable Functions



Back by popular demand, the VARI***LITE** VL550 80V Wash luminaire is based upon the Emmy® Award-winning VL5 Wash luminaire, but with significant design improvements. The 50 kHz. drive system quiets all two-phase motors both when moving and static. Three-phase, ultra quiet stepper motors provide for smooth and quiet pan and tilt operation.

The VL550 80V utilizes a bright 80V tungsten lamp for applications where more intensity is needed. With its integral dimmer, the VL550 80V allows dynamic intensity control and smooth timed fades.

The patented and innovative DICHRO***TUNE** radial color mixing system employs three sets of 16 radially mounted dichroic blades – magenta, blue, and amber – designed to produce a smooth, full spectrum of color cross-fades.

This luminaire is also available with pastel versions of the standard colors. The pastel colors offer a softer Broadway-type color palette often used in live theater.

In addition to its internal dimmer for intensity control, the VL550 80V utilizes 16 radially mounted diffuser planes to control beam spread. For additional beam control, the VL550 80V may be purchased with six interchangeable lens options, including clear, stipple (included in stock fixture), 8-row, 10-row, 12-row, and Buxom.

The VL550 80V is designed with a naturally convection cooled lamp and internally cooled electronics, which utilize three low-velocity, low noise micro-fans for temperature control. The micro-fan cooling the 80V dimmer operates at incremental speeds that correspond to the temperature of the dimmer. The micro-fans in the yoke arm and the base which cool the control electronics and the low-voltage power supply are on-demand and activate only in extreme conditions where the ambient temperature exceeds 41° C, or if the fixture is mounted in a horizontal position. User override of these two fans is possible through the unit's menu display.

The VL550 80V is a stand-alone fixture with no additional on-board equipment required. Simply plug in DMX512 and power, and the VL550 80V may be controlled through a variety of DMX512 lighting control consoles.

The VL550 80V comes standard with an on-board, backlit, invertible LCD display. This enhanced display is easy to read with or without the backlight on.

Intensity Control:
Color Mixing System:

Integral 80V Dimmer.
Patented DICHRO***TUNE** radial color changing mechanism features independent magenta, blue, and amber color control. All motors utilize a noise reducing, 50kHz. drive system that quiets operation during movement and also while static.

Beam Control:

A selection of six, easily interchangeable front lenses work with the internal radial diffusing mechanism to provide a variety of beam sizes and shapes. (Stipple lens comes included in the standard model.)

Pan and Tilt:

Smooth, time-controlled continuous motion by way of a high-power stepper motor system capable of 0.3° resolution.

Range:

Pan - 540°, Tilt - 270°.

Description

Source:	80V/1200W Tungsten Halogen Lamp	Color Temperature: 3200K
Power Requirements:	100-240VAC, 50/60Hz (draws 6 to 14 Amps depending on input voltage)	
Reflector:	Precision parabolic glass reflector system with dichroic cold mirror coating.	
Operational Temperature:	-20° to 122°F (-29° to 50°C)	
Cooling:	Natural convection cooling supported by on-demand micro-fans for high temperature applications.	
Control:	Completely compatible with a wide variety of DMX512 lighting control consoles.	
DMX Channels:	8 - 13 channels depending upon model selected.	
Mounting Position:	May be mounted and operated in any orientation.	
Spacing:	Hangs on 21 inch (53.34 cm) centers.	
Weight:	53 lbs (24.1 kg).	

Ordering Information

Standard Color Dichroic Glass:

20.9683.0004	VL550 80V Wash, Dimmer (100 - 240V Input), Standard DICHRO* TUNE Color System, Includes 80V 1200W Lamp
20.9683.0004.02	VL550 80V Wash, WHITE, Dimmer (100 - 240V Input), Standard DICHRO* TUNE Color System, Includes 80V 1200W Lamp

Pastel Color Dichroic Glass:

20.9683.0014	VL550 80V Wash, 80V Lamp, Dimmer (100 - 240V Input), Pastel DICHRO* TUNE Color System, Includes 80V 1200W Lamp
20.9683.0014.02	VL550 80V Wash, WHITE, 80V Lamp, Dimmer (100 - 240V Input), Pastel DICHRO* TUNE Color System, Includes 80V 1200W Lamp

Accessories:

71.9685.0080	80V/1200W Tungsten Replacement Lamp
42.9685.0201	Clear Lens (VNSP)
42.9685.0207	Stipple Lens (NSP) Standard with Fixture
42.9685.0203	8-Row Lenticular Lens (MFL)
42.9685.0206	10-Row Lenticular Lens (MFL)
42.9685.0204	12-Row Lenticular Lens (WFL)
42.9685.0205	Buxom Lens (VWFL)
22.9620.0194	Safety Cable Assembly
28.8500.0054	USB Luminaire Programming Kit
55.6840.0001	Truss Hook, Mega-Clamp (Round and Square)
55.6841.0001	Truss Hook, Mega-Claw (for 2" Round Tube)



PHILIPS
VARI*LITE****

VL550 80V Wash

l u m i n a i r e

Tungsten with Integral 80V Dimmer

Specifications

The unit shall be an integrally designed, remote controlled, motorized wash luminaire. The head, yoke, and enclosure housing are constructed of aluminum alloy and steel for lightweight strength and durability. The front nose ring and rear housing shall be hinged and latched, providing easy access to the lamp and lens for replacement.

Each unit shall be equipped with an on-board microprocessor to control all actions of the luminaire, providing diagnostic and self-calibration functions, as well as internal test routines and software update capabilities.

Each unit shall have three-color changers holding a minimum of 16 frames of standard dichroic media (magenta, blue, and amber), or with a pastel color mixing set as requested by the specifier, providing a full spectrum of color cross-fades, with a wide range in the saturated colors.

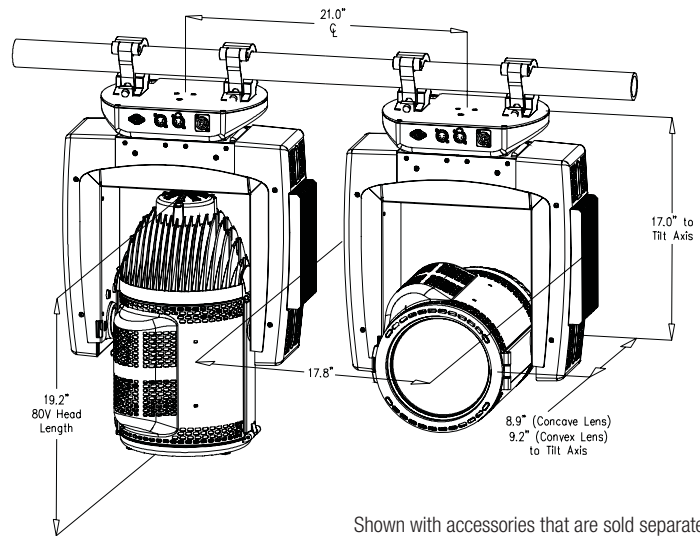
Each unit shall contain one diffuser mechanism holding a minimum of 16 glass diffuser panels that intercept the beam and provide continuous time variable diffusion range for each of the available lenses. Unit shall utilize a 50 kHz. drive system that quiets all two-phase motors both when moving and static. Unit shall utilize three-phase, ultra quiet stepper motors for smooth and quiet pan and tilt operation.

Each unit shall use an 80VAC/1200W tungsten lamp, with a 3200-degree color temperature output, and shall be natural convection cooled with the added use of on-demand micro-fan control.

Each unit shall have an integral 80V dimmer module capable of lamp intensity control via DMX512 commands. The dimmer module shall be capable of universal operation with an input voltage of 100 to 240VAC and an output voltage of 80VAC to drive the lamp.

Pastel (Dichroic Glass) Feature:

Pastel Color Feature: As an option, the luminaire shall be made available with "pastel" or lighter colored magenta and blue color filters. The luminaire, fitted with pastel-colored dichroic glass, shall maintain the electrical specifications of the standard version of the VL550 80V Wash luminaire.



Shown with accessories that are sold separately.

Photometric Data

1200W 80V Lamp (3200K Color Temperature)						
Lens	Lumens	Candela (cd)	Foot Candles (measured at 124 inches)	Lux (measured at 3.149 meters)	Beam Angle (degrees)	Field Angle (degrees)
Clear	7,180	562,341	2,682	52,160	6.2	11.8
Stipple	6,990	382,122	2,676	28,840	7.5	14.3
8-Row	5,620	115,557	1,342	14,430	13.5	18.4
10-Row	5,830	105,359	1,428	15,349	15.6	19.8
12-Row	3,930	29,708	880	9,483	23.1	29.0
Buxom	4,520	17,465	2,007	21,562	27.5	53.9



©2010 Philips Group. All rights reserved. Printed in the U.S.A. We reserve the right to change details of design, materials and finishes. Specifications are subject to change without notice. VARI*LITE automated lighting equipment is made in the U.S.A. The Emmy name is the trademarked property of The Academy of Television Arts & Sciences and the National Academy of Television Arts & Sciences.



Vari-Lite
10911 Petal Street
Dallas, TX 75238
1.877.VARILITE
fax: 214.647.8038
www.vari-lite.com



VL55080V_072810