



The VARI\***LITE**® VL2201™ spot luminaire is based on the VL6B™ spot luminaire. The VL2201 luminaire features an upper enclosure that houses the control electronics as well as a power factor corrected arc power supply for the Philips MSR400SA arc lamp. The VL2201 luminaire also features a zoom optics system and rotating gobos. The luminaire is small, lightweight, and virtually silent.

The VL2201 luminaire supports a wide variety of colors and gobos. Two wheels for interchangeable dichroic color and gobo selections make the luminaire completely user-configurable. Custom gobos are available.

The VL2201 luminaire is controlled from any VARI\***LITE**® console. It also can be controlled from a wide variety of DMX-512 consoles without the need for additional interface equipment.

# VL2201™

## s p o t l u m i n a i r e

### Programmable

<b>Zoom Optics:</b>	Continuously variable field angle from 13° to 35°, programmable over a timed range of 2 seconds to 20 minutes.
<b>Beam Size Control:</b>	A mechanical iris provides continuous beam size control for both rapid changes and smooth timed beam angle changes in addition to the zoom optics.
<b>Intensity Control:</b>	Full field dimming designed for both smooth timed fades and strobe effects.
<b>Color/Fixed Gobo Wheels:</b>	Two wheels, each providing 11 easily loaded positions for dichroic color and gobo choices.
<b>Rotating Gobo Wheel:</b>	Six position rotating gobo wheel with five rotatable, indexable gobo positions and one open position.
<b>Edge &amp; Pattern Focus:</b>	Variable beam focus to soften edges of gobos or spots.
<b>Pan &amp; Tilt:</b>	Smooth, time-controlled continuous motion by way of a three-phase stepper motor system.
<b>Range:</b>	Pan - 540°, Tilt - 270°.
<b>Accuracy:</b>	0.3° resolution.

### Description

<b>Source:</b>	Philips MSR400SA/400W	Color Temperature	5500K
		CRI	75
<b>Power Requirements:</b>	Standard AC power distribution from 90-264 VAC, 50/60 Hz. The unit requires 5 to 10 A depending on the AC supply voltage.		
<b>Reflector:</b>	Precision glass reflector with dichroic cold mirror coating. The source may be adjusted in the reflector to peak or flatten the projected beam field.		
<b>Operational Temperature:</b>	-20° to 113°F (-29° to 45°C).		
<b>Cooling:</b>	Forced air cooling.		
<b>Control:</b>	Completely compatible with the VARI* <b>LITE</b> ® automated lighting system, featuring the Virtuoso™, Artisan® Plus or mini-Artisan® 2 control console. Also compatible with a wide variety of DMX consoles.		
<b>Mounting Position:</b>	The VL2201™ spot luminaire can be mounted and operated in any orientation.		
<b>Spacing:</b>	Hangs on 19.5 in. (49.5 cm) centers.		
<b>Weight:</b>	55 lbs (24.9 kg).		

### Accessories

71.2528.0400	Philips MSR400SA Lamp/400W
22.9620.0194	Safety Cable Assembly
55.6840.0001	Truss Hook, Mega-Clamp, Round and Square
55.6841.0001	Truss Hook, Mega-Claw for 2" Round Tube



# VL2201™

## spot luminaire

### Specifications

The unit is an integrally designed, remote controlled, motorized spot luminaire. The housing and yoke are constructed of aluminum alloy and steel for lightweight strength. The unit is forced-air cooled using virtually silent fans. The rear lamp cap is removable, providing easy access to the lamp for replacement.

Two three-phase stepper motors are provided to permit movement of the head through 540° in the horizontal plane (pan) and 270° in the vertical plane (tilt). The pan and tilt are belt-driven, providing positional resolution and repeatability of 0.3° on either axis. Manual override under power results in no harm to the drive mechanism. Control cabling is run internally to prevent tangling.

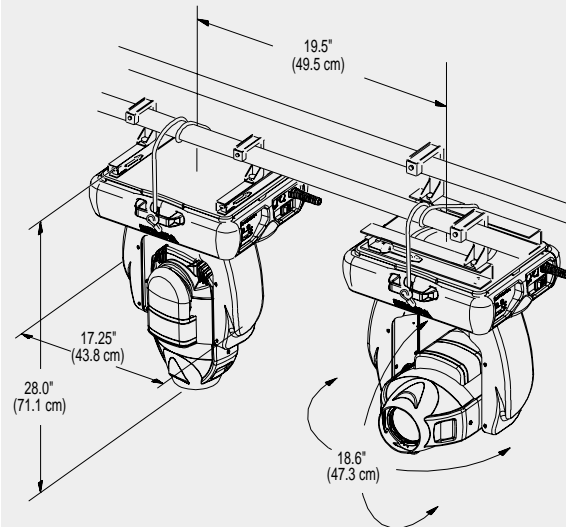
Each unit is equipped with an on-board microprocessor providing diagnostic and self-calibration functions. In the event that the luminaire encounters any physical obstruction during calibration, the pan and tilt motors are disabled automatically, preventing damage to the mechanisms.

The unit contains two rotating, easily removable filter wheels. Each wheel is capable of holding up to eleven interchangeable, dichroic color or gobo choices. The wheels are capable of spinning continuously.

A gobo wheel containing five individually rotating, indexable gobos are also provided. Two motors provide independent drive regardless of direction of movement. All rotating gobos are easily removable from the unit. Positional accuracy of the filter frame with respect to the beam is controlled by the microprocessor.

The unit contains an aluminum dimmer blade that provides full field dimming and allows for smooth timed fades and fast blackouts. A mechanical iris provides continuous beam size control for both rapid changes and smooth timed beam angle changes. Variable beam focus is provided to soften the edges of gobos or spots and provide gobo morphing. A zoom optics system provides an adjustable field angle from 13° to 35°. Using the beam size iris, the luminaire projects a beam with a field angle of 8°.

Five pin DMX-512 compatible connections (in and through) are provided. Exterior finish is black. Total weight does not exceed 55 lbs (24.9 kg). The unit is ETL and ETLc certified and CE-marked.



### Photometric Data

VL2201 Spot Luminaire - 400W Metal Halide					
Lens	Candela* (cd)	Beam Angle (DEGREES)	Beam Diameter TN <sup>1</sup>	Field Angle (DEGREES)	Field Diameter TN <sup>1</sup>
NFOV (Peak Field)	556,000	5.0°	.087	13.0°	.228
NFOV (Flat Field)	369,600	5.5°	.096	15.5°	.272
MFOV (Peak Field)	128,800	9.5°	.166	23.5°	.416
MFOV (Flat Field)	98,400	12.0°	.210	29.0°	.517
WFOV (Peak Field)	86,000	13.0°	.228	31.0°	.555
WFOV (Flat Field)	52,400	19.0°	.335	34.5°	.621

<sup>1</sup> Multiply distance by TN to determine coverage.

To calculate center beam illuminance (I) in foot candles, at a specific distance (D) in feet:  $I = \frac{cd}{D^2}$

\* All data taken with seasoned light source at 20 hours of life.

**VARI\*LITE®**  
Express yourself.

© 2000. Printed in the U.S.A. Specifications are subject to change without notice. VARI\*LITE®, Artisan® Plus and mini-Artisan® 2 are registered trademarks of Vari-Lite, Inc. Virtuoso®, Series 300®, VL6™ and VL2201™ are trademarks of Vari-Lite, Inc. VARI\*LITE® automated lighting equipment is made in the U.S.A. Vari-Lite products are protected by patents granted and pending in the U.S. and other countries.

Vari-Lite, Inc.  
201 Regal Row  
Dallas, TX 75247  
1.877.VARILITE  
fax: 214.630.5867  
www.vari-lite.com

**CE**  
May 2000

02.4236.0001  
5/00, 5K