

VL1100CD

automated ellipsoidal
reflector spotlight



The VARI***LITE** VL1100CD luminaire introduces a long life ceramic discharge lamp source that offers the color temperature of tungsten, a high CRI, and an incredibly long rated life of 8,000 hours. It combines the functionality of one of the most popular conventional lighting tools — the ellipsoidal reflector spotlight — with the versatility of an automated luminaire. The VL1100CD is available in black and white. All VL1100 models have undergone design enhancements to provide more quiet and fluid operation.

Automated functions include CYM color mixing, rotating gobos (glass or metal patterns are acceptable), variable diffusion and a zoom lens that ranges from 19° to 36° for normal imaging and a super zoom function that ranges to 70°.

A new 50 kHz. drive system quiets all two-phase motors both when moving and static. A central bearing system in the gobo wheel reduces noise and ensures smooth operation of the mechanism. Additionally, new, three-phase, ultra quiet stepper motors provide for smoother and more quiet pan and tilt operation. Low noise, thermostatically controlled fans provide quiet, forced-air cooling in high temperature applications, and remain off during normal usage.

The VL1100CD delivers more than 8,000 lumens with the same color temperature as a tungsten source. All models also include a mechanical glass dimmer wheel.

Additionally, the fixture includes an automated, four-blade shutter mechanism that provides control of all shutter functions popular in conventional ellipsoidal reflector spotlights. The VL1100CD iris model offers a beam size iris instead of a shutter module.

Simply plug in DMX512 and power, and the VL1100CD may be controlled through a variety of DMX512 lighting control consoles.

CD (Ceramic Discharge) Units Programmable Functions

Zoom Optics:	Continuously variable field angle in imaging range from 19° to 36°, super zoom angles to 70° is programmable over a timed range of 2 seconds to 20 minutes.
Color Mixing System:	A fully cross-fading CYM color system. All motors utilize a noise reducing, 50kHz. drive system that quiets operation during movement and also while static.
Diffusion:	Field or gobo image can be continuously and smoothly diffused to wash.
Intensity Control:	A coated glass dimmer wheel provides full-field dimming designed for smooth timed fades.
Rotating Gobo Wheel:	Six position rotating gobo wheel with a central bearing system, five rotatable and indexable gobo positions plus open. (Patterns are not included with the fixture. Use of glass or metal patterns is acceptable.)
Shutter (Framing Models):	Four-blade system can frame and crop beam field and gobos. Each individual shutter is capable of translating to beam center while also rotating $\pm 35^\circ$. Entire shutter rotates $\pm 45^\circ$.
Beam Size Control (Iris Models):	In addition to the zoom optics, a mechanical iris provides continuous beam size control for both rapid changes and smooth timed beam angle changes.
Pan and Tilt:	Smooth, timed continuous motion using three-phase, ultra quiet stepper motors with encoder correction. Pan range is 540°; tilt is 270°. Resolution is 0.1°. Unit will calibrate to support close hangs (yoke-to-yoke).

Description

Source:	315W CDM Lamp		
Color Temp:	3200K	CRI:	95
Output:	>8,000 Lumens	Rated Life:	8,000 Hours
Power Requirements:	3 to 6 Amps depending upon input voltage. 100 - 240 VAC 50/60 Hz.		
Reflector:	Precision glass reflector with dichroic cold mirror coating.		
Operational Temperature:	-20° to 122°F (-29° to 50°C)		
Cooling:	Free convection cooling when hung. Floor mounted units and extreme ambient temperatures activate a low-noise, forced-air cooling system.		
Control:	Completely compatible with a wide variety of DMX512 lighting control consoles.		
Mounting Position:	The VL1100CD luminaire can be mounted and operated in any orientation.		
Spacing:	Full range of motion on 26.5" (67.3 cm) centers. Hangs as close as 20.0" (50.8 cm).		
Weight:	74.9 lbs (34 kg).		

Ordering Information

Luminaires:

20.9665.0001.02	VL1100CD, Arc, Framing Shutters, Includes 315W CDM Lamp.
20.9665.0001.02.02	VL1100CD, Arc, WHITE, Framing Shutters, Includes 315W CDM Lamp.
20.9665.0001.03	VL1100CD, Arc, Iris, Includes 315W CDM Lamp
20.9665.0001.03.02	VL1100CD, Arc, WHITE, Iris, Includes 315W CDM Lamp

Accessories:

71.2568.0315	315W CDM Lamp
22.9620.0194	Safety Cable
28.8500.0054	USB Luminaire Programming Kit
55.6840.0001	Truss Hook, Mega-Clamp, Round and Square
55.6841.0001	Truss Hook, Mega-Claw for 2" Round Tube
41.6010.XXXX	Gobo, VL1100 (Specify pattern from catalog to complete P/N.)



PHILIPS
VARI*LITE****

VL1100CD

automated ellipsoidal
reflector spotlight

CD (Ceramic Discharge) Units

Specifications

The unit shall be an integrally designed, remote-controlled, automated ellipsoidal reflector spot luminaire. An integral enclosure/pan tube supports the luminaire with provisions for two hooks. The pan tube serves as an interconnection point for power and data. Low noise fans shall provide forced-air cooling for internal components as required during extreme operating conditions. Fans shall be thermostatically controlled and will remain off during normal usage and ambient conditions. The rear cap provides three-point lamp adjustment and easy access to the lamp for replacement.

An AC input connector and two, five-pin DMX512 compatible connectors (in and through) are provided. The unit can be controlled by a wide variety of DMX512 consoles.

Each unit shall be equipped with a high-speed processor providing diagnostic and self-calibration functions as well as internal test routines and software update capabilities. A yoke arm mounted panel and display provide the user interface.

The unit shall contain independent, three-phase, ultra quiet stepper motors to provide movement of the head through 540° in the horizontal plane (pan) and 270° in the vertical plane (tilt). The luminaire calibrates to minimize hanging distances.

A zooming multi-element optical system shall provide continuous focus of gobo images for field angles from 19° to 36°. A super zoom function provides field angles to 70°. Independent control of edge is provided.

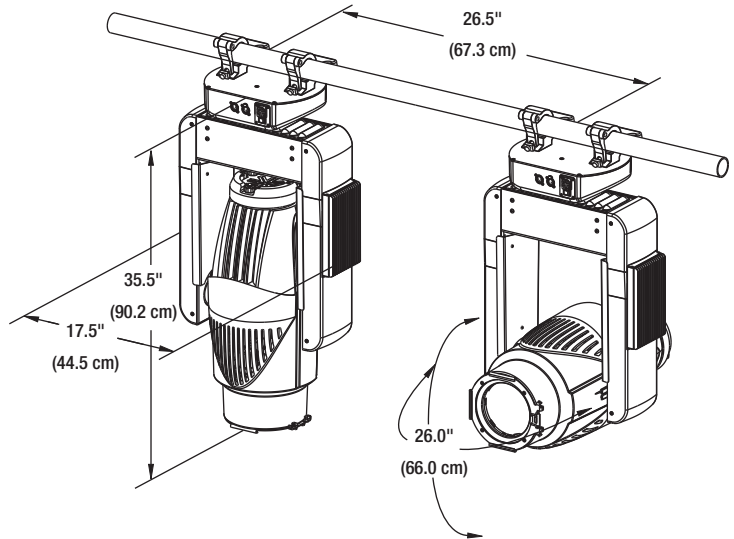
A CYM color mixing system shall provide for a broad range of user color selection. A variable diffusion stage is also included. This stage provides controlled reduction of the contrast ratio of imagery and beam edges. The effect is a continuous transition from spotlight to floodlight. A noise reducing, 50 kHz. drive system shall quiet the operation of all two-phase motors in the luminaire both when moving and static.

A six-position gobo wheel with five rotatable, indexable gobo positions and one open position shall be included. A central bearing system in the gobo wheel shall provide quiet and smooth operation of mechanism. Gobos are easily installed and removed. Use of glass or metal patterns is acceptable. (A wide selection of gobos is available from Vari-Lite.)

Framing shutter models shall contain four shutter blades that translate radially across the beam. Each individual shutter is capable of translating to beam center while also rotating $\pm 35^\circ$. The framing shutter mechanism rotates as a unit $\pm 45^\circ$.

Iris models shall contain a beam size iris suitable for producing narrow beams and cropping gobos.

The unit is ETL and ETLc certified and CE marked. The unit's exterior finish shall be available in black or white. Custom colors may be special ordered.



PHILIPS
VARI*Lite

©2010 Philips Group. All rights reserved. Printed in the U.S.A. We reserve the right to change details of design, materials and finishes. Specifications are subject to change without notice. VARI LITE automated lighting equipment is made in the U.S.A.



Vari-Lite
10911 Petal Street
Dallas, TX 75238
1.877.VARILITE
fax: 214.647.8038
www.vari-lite.com



VL1100CD_072810