

MECHANICAL

FIXTURE	ROAD CASE
Dimensions:	Dimensions:
mm: 390 x 320 x 508	860 x 590 x 889
in: 15.4 x 12.6 x 20	33.8 x 23.2 x 35

Fixture Weight: 24 kg (54 lb)

Shipping Weight: 97.5 kg (215 lb)

Mounting Information: The SolaWash 37 LED fixture can be truss mounted using 1/4 camlock c-clamps mounting brackets. It can also stand upright on a stable surface.

Colors Available: Black

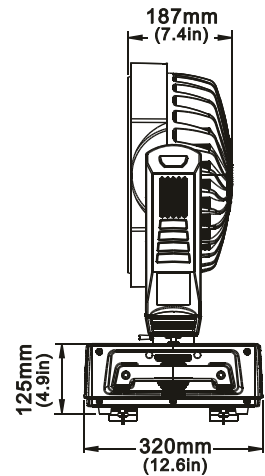
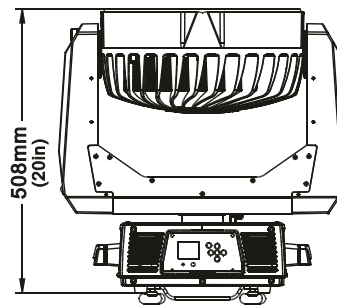
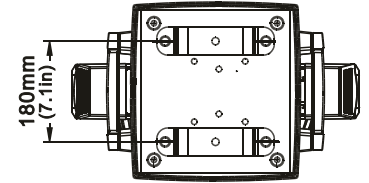
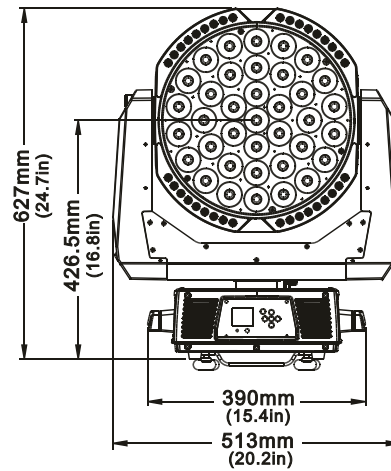
ELECTRICAL /LIGHT SOURCE

Fixture Rated Power: 680 W

Power Consumption: AC 100V–240V; 50Hz/60Hz; 6.8A-2.8A

Fixture Output: 18,000 Lumens

Light Source: 37x 15-W RGBW LEDs
36x Indigo Highlighter LEDs



OPERATION

Pan: 540° optional 630°

Tilt: 265°

Zoom: 12° – 65°

Environmental Specifications:

Minimum Distance to Flammable Objects	0.5 m (1.64 ft)
Minimum Distance to Lighted Objects	0.5 m (1.64 ft)
Ambient Temperature	-10°C to 45°C

Compliances: ETL, CE

PART NUMBERS

Fixture

H7010007: fixture, SolaWash 37 LED, black