

MECHANICAL

FIXTURE

Dimensions:

mm: 388 x 320 x 479

in: 15.3 x 12.6 x 18.9

ROADCASE

Dimensions:

855 x 555 x 675

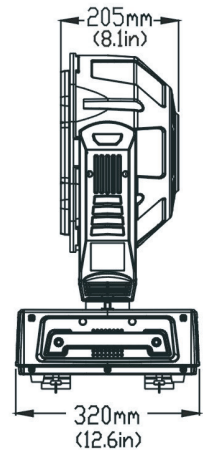
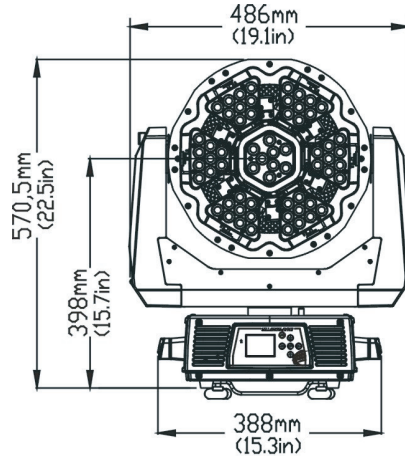
33.7 x 21.8 x 26.6

Fixture Weight: 20.3 kg (44.7 lb)

Shipping Weight: 88.35 kg (194.8 lb)

Mounting Information: The SHAPESHIFTER W2 fixture can be truss mounted using 1/4 camlock c-clamps mounting brackets. It can also stand upright on a stable surface.

Colors Available: Black



ELECTRICAL /LIGHT SOURCE

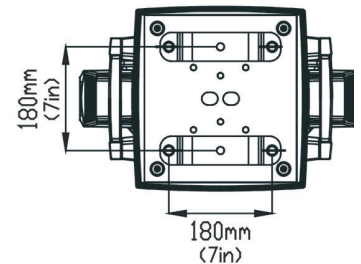
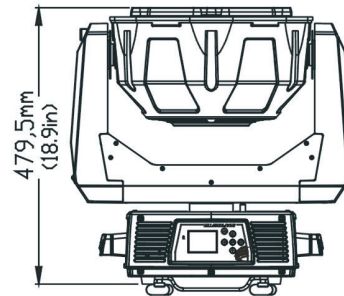
Fixture Rated Power: 300 W

Power Consumption: 100V 50 3.5 A

120V 60 3 A

240V 50/60 1.5 A

Fixture Output: 12,000 Lumens*



* 3 points (center, middle, and edge)

OPERATION

Pan: 630°

Tilt: 270°

Zoom: 15° – 58°

Environmental Specifications:

Minimum Distance to Flammable Objects 1 m (3.28 ft)

Minimum Distance to Lighted Objects 1 m (3.28 ft)

Compliances: ETL, CE

PART NUMBERS

Fixture

H7010013: fixture, SHAPESHIFTER W2, black

DMX CONTROL

Control Options: DMX512

DMX Channels: 28 (Standard) 79 (Enhanced)

Address Methods: Full Color LCD Display, Battery Mode

Fixtures per Universe: 18 (Standard) 6 (Enhanced)

DMX/RDM Data Connectors: 3-pin 5-pin male and female XLR connectors

Standard Protocol

Channel	Function
1	Pan
2	
3	Tilt
4	
5	Master LED Function
6	LED X
7	LED y
8	Mix Color Function
9	Shutter/LED Functions
10	Shutter

Channel	Function
11	Dim
12	
13	MSpeed
14	Inclusive Macro
15	Inclusive Macro Speed
16	Inclusive Macro X Fade
17	LED XY Macro
18	LED XY Macro Speed
19	LED XY Macro XFade
20	LED Intensity Macro

Channel	Function
21	LED Intensity Macro Speed
22	LED Intensity Macro XFade
23	Control
24	Indigo Highlighter Function
25	Indigo Highlighter Dim
26	LED White 1
27	LED White 2
28	LED White 3

Enhanced Protocol

Channel	Function
1	Pan
2	
3	Tilt
4	
5	Master LED X/Y Function
6	LED X
7	LED y
8	Mix Color Function
9	Shutter/LED Functions
10	Shutter
11	Dim
12	
13	MSpeed
14	Inclusive Macro
15	Inclusive Macro Speed
16	Inclusive Macro X Fade
17	LED XY Macro
18	LED XY Macro Speed
19	LED XY Macro XFade
20	LED Intensity Macro
21	LED Intensity Macro Speed
22	LED Intensity Macro XFade
23	Control
24	Indigo Highlighter Function
25	Indigo Highlighter Dim
26	LED1 White 1

Channel	Function
27	LED1 White 2
28	LED1 White 3
29	LED1 Function
30	LED1 Dim
31	
32	LED2 X
33	LED2 Y
34	LED2 White 1
35	LED2 White 2
36	LED2 White 3
37	LED2 Function
38	LED2 Dim
39	
40	LED3 X
41	LED3 Y
42	LED3 White 1
43	LED3 White 1
44	LED3 White 3
45	LED3 Function
46	LED3 Dim
47	
48	LED4 X
49	LED4 Y
50	LED4 White 1
51	LED4 White 2
52	LED4 White 3

Channel	Function
53	LED4 Function
54	LED4 Dim
55	
56	LED5 X
57	LED5 Y
58	LED5 White 1
59	LED5 White 2
60	LED5 White 3
61	LED5 Function
62	LED5 Dim
63	
64	LED6 X
65	LED6 Y
66	LED6 White 1
67	LED6 White 2
68	LED6 White 3
69	LED6 Function
70	LED6 Dim
71	
72	LED7 X
73	LED7 Y
74	LED7 White 1
75	LED7 White 2
76	LED7 White 3
77	LED7 Function
78	LED7 Dim
79	

© 2014, High End Systems, Inc. All specifications subject to change without notice.



High End Systems
2105 Gracy Farms Lane
Austin, TX 89858 USA

voice: 512.836.2242
fax: 512.837.5290
Toll Free: 800.890.8989

Customer Service
2105 Gracy Farms Lane
Austin, TX 89858 USA

voice: 800.890.8989
fax: 512.834.9195
Toll free: 800.890.8989