

MECHANICAL

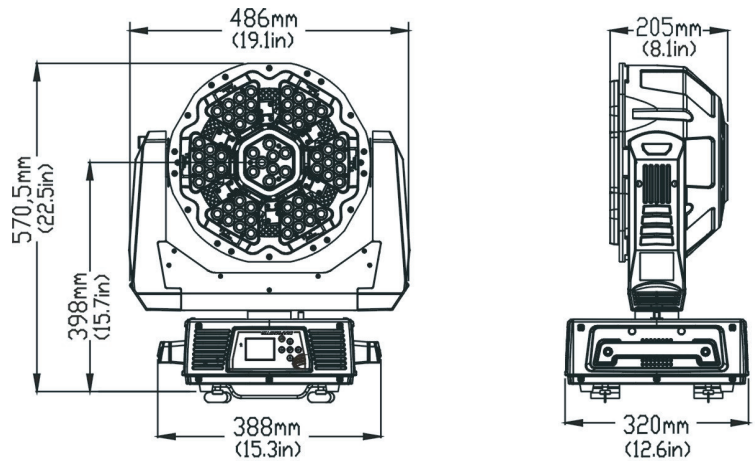
FIXTURE	ROADCASE
Dimensions:	Dimensions:
mm: 388 x 320 x 479	855 x 555 x 675
in: 15.3 x 12.6 x 18.9	33.7 x 21.8 x 26.6

Fixture Weight: 20.3 kg (44.7 lb)

Shipping Weight: 88.35 kg (194.8 lb)

Mounting Information: The SHAPESHIFTER C2 fixture can be truss mounted using 1/4 camlock c-clamps mounting brackets. It can also stand upright on a stable surface.

Colors Available: Black

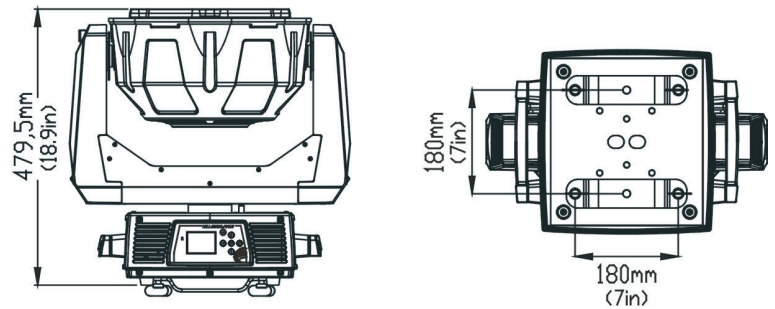


ELECTRICAL /LIGHT SOURCE

Fixture Rated Power: 300 W

Power Consumption: 100V 50 3.5 amps
120V 60 3 amps
240V 50/60 1.5 amps

Fixture Output: 12,000 Lumens *



*Calculated by comparing the combined energy levels of SHAPESHIFTER WRGBCM to a theatrical metal halide color changing fixture and creating a factor.

OPERATION

Pan: 630°

Tilt: 270°

Zoom: 15° – 58°

Environmental Specifications:

Minimum Distance to Flammable Objects	1 m (3.28 ft)
Minimum Distance to Lighted Objects	1 m (3.28 ft)

Compliances: ETL, CE

PART NUMBERS

Fixture

H7010012: fixture, SHAPESHIFTER C2, black

DMX CONTROL

Control Options: DMX512

Address Methods: Full Color LCD Display, Battery Mode

DMX/RDM Data Connectors: 3-pin 5-pin male and female XLR connectors

DMX Channels: 28 (Reduced) 79 (Enhanced)

Fixtures per Universe: 18 (Standard) 6 (Enhanced)

Reduced Protocol

Channel	Function
1	Pan
2	
3	Tilt
4	
5	Master LED Function
6	LED X
7	LED y
8	Mix Color Function
9	Shutter/LED Functions
10	Shutter

Channel	Function
11	Dim
12	
13	MSpeed
14	Inclusive Macro
15	Inclusive Macro Speed
16	Inclusive Macro X Fade
17	LED XY Macro
18	LED XY Macro Speed
19	LED XY Macro XFade
20	LED Intensity Macro

Channel	Function
21	LED Intensity Macro Speed
22	LED Intensity Macro XFade
23	Control
24	Indigo Highlighter Function
25	Indigo Highlighter Dim
26	LED Red
27	LED Green
28	LED Blue

Enhanced Protocol

Channel	Function
1	Pan
2	
3	Tilt
4	
5	Master LED Function
6	LED X
7	LED y
8	Mix Color Function
9	Shutter/LED Functions
10	Shutter
11	Dim
12	
13	MSpeed
14	Inclusive Macro
15	Inclusive Macro Speed
16	Inclusive Macro X Fade
17	LED XY Macro
18	LED XY Macro Speed
19	LED XY Macro XFade
20	LED Intensity Macro
21	LED Intensity Macro Speed
22	LED Intensity Macro XFade
23	Control
24	Indigo Highlighter Function
25	Indigo Highlighter Dim
26	LED1 Red

Channel	Function
27	LED1 Green
28	LED1 Blue
29	LED1 Function
30	LED1 Dim
31	
32	LED2 X
33	LED2 Y
34	LED2 Red
35	LED2 Green
36	LED2 Blue
37	LED2 Function
38	LED2 Dim
39	
40	LED3 X
41	LED3 Y
42	LED3 Red
43	LED3 Green
44	LED3 Blue
45	LED3 Function
46	LED3 Dim
47	
48	LED4 X
49	LED4 Y
50	LED4 Red
51	LED4 Green
52	LED4 Blue

Channel	Function
53	LED4 Function
54	LED4 Dim
55	
56	LED5 X
57	LED5 Y
58	LED5 Red
59	LED5 Green
60	LED5 Blue
61	LED5 Function
62	LED5 Dim
63	
64	LED6 X
65	LED6 Y
66	LED6 Red
67	LED6 Green
68	LED6 Blue
69	LED6 Function
70	LED6 Dim
71	
72	LED7 X
73	LED7 Y
74	LED7 Red
75	LED7 Green
76	LED7 Blue
77	LED7 Function
78	LED7 Dim
79	

© 2014, High End Systems, Inc. All specifications subject to change without notice.



High End Systems
2105 Gracy Farms Lane
Austin, TX 89858 USA

voice: 512.836.2242
fax: 512.837.5290
Toll Free: 800.890.8989

Customer Service
2105 Gracy Farms Lane
Austin, TX 89858 USA

voice: 800.890.8989
fax: 512.834.9195
Toll free: 800.890.8989