

### MECHANICAL

#### FIXTURE

##### Dimensions:

mm: 388 x 320 x 520

in: 15.3 x 12.6 x 20.5

#### ROADCASE

##### Dimensions:

660 x 540 x 905

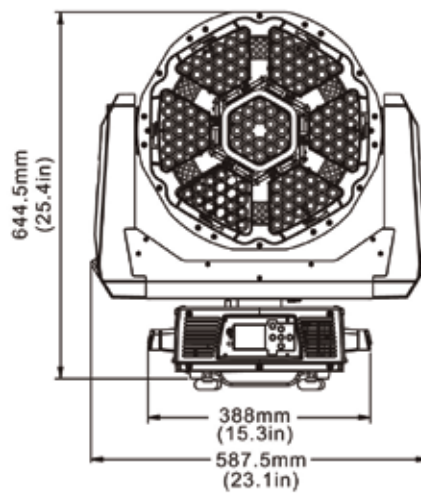
25.98 x 21.25 x 35.62

**Fixture Weight:** 26.9 kg (59.3 lb)

**Shipping Weight:** 61 kg (134.5 lb)

**Mounting Information:** The SHAPESHIFTER C1 fixture can be truss mounted using 1/4 camlock c-clamps mounting brackets. It can also stand upright on a stable surface.

**Colors Available:** Black

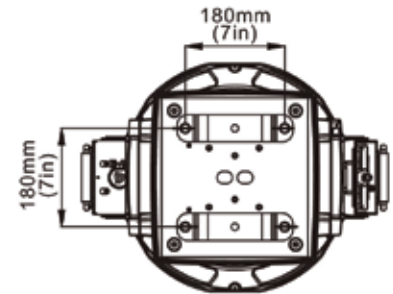
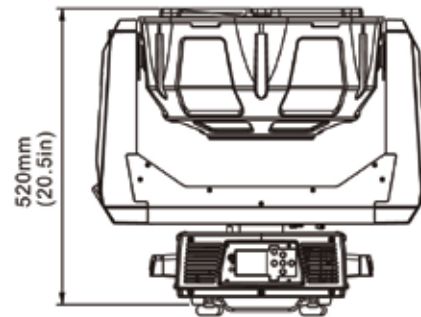


### ELECTRICAL /LIGHT SOURCE

**Fixture Rated Power:** 700 W

**Power Consumption:** 100V 50 7 amps  
120V 60 6 amps  
240V 50/60 3 amps

**Fixture Output:** 24,000 Lumens \*



\*Calculated by comparing the combined energy levels of SHAPESHIFTER WRGBCMY to a theatrical metal halide color changing fixture and creating a factor.

### OPERATION

**Pan:** 630°

**Tilt:** 270°

**Zoom:** 12° – 59°

#### Environmental Specifications:

Minimum Distance to Flammable Objects 2 m (6.56 ft)

Minimum Distance to Lighted Objects 2 m (6.56 ft)

**Compliances:** ETL, CE

### PART NUMBERS

#### Fixture

H7010010: fixture, SHAPESHIFTER C1, black

# DMX CONTROL

**Control Options:** DMX512

**Address Methods:** Full Color LCD Display, Battery Mode

**DMX/RDM Data Connectors:** 3-pin 5-pin male and female XLR connectors

**DMX Channels:** 28 (Standard) 79 (Enhanced)

**Fixtures per Universe:** 18 (Standard) 6 (Enhanced)

## Standard Protocol

Channel	Function
1	Pan
2	
3	Tilt
4	
5	Master LED Function
6	LED X
7	LED y
8	Mix Color Function
9	Shutter/LED Functions
10	Shutter

Channel	Function
11	Dim
12	
13	MSpeed
14	Inclusive Macro
15	Inclusive Macro Speed
16	Inclusive Macro X Fade
17	LED XY Macro
18	LED XY Macro Speed
19	LED XY Macro XFade
20	LED Intensity Macro

Channel	Function
21	LED Intensity Macro Speed
22	LED Intensity Macro XFade
23	Control
24	Indigo Highlighter Function
25	Indigo Highlighter Dim
26	LED Red
27	LED Green
28	LED Blue

## Enhanced Protocol

Channel	Function
1	Pan
2	
3	Tilt
4	
5	Master LED Function
6	LED X
7	LED y
8	Mix Color Function
9	Shutter/LED Functions
10	Shutter
11	Dim
12	
13	MSpeed
14	Inclusive Macro
15	Inclusive Macro Speed
16	Inclusive Macro X Fade
17	LED XY Macro
18	LED XY Macro Speed
19	LED XY Macro XFade
20	LED Intensity Macro
21	LED Intensity Macro Speed
22	LED Intensity Macro XFade
23	Control
24	Indigo Highlighter Function
25	Indigo Highlighter Dim
26	LED1 Red

Channel	Function
27	LED1 Green
28	LED1 Blue
29	LED1 Function
30	LED1 Dim
31	
32	LED2 X
33	LED2 Y
34	LED2 Red
35	LED2 Green
36	LED2 Blue
37	LED2 Function
38	LED2 Dim
39	
40	LED3 X
41	LED3 Y
42	LED3 Red
43	LED3 Green
44	LED3 Blue
45	LED3 Function
46	LED3 Dim
47	
48	LED4 X
49	LED4 Y
50	LED4 Red
51	LED4 Green
52	LED4 Blue

Channel	Function
53	LED4 Function
54	LED4 Dim
55	
56	LED5 X
57	LED5 Y
58	LED5 Red
59	LED5 Green
60	LED5 Blue
61	LED5 Function
62	LED5 Dim
63	
64	LED6 X
65	LED6 Y
66	LED6 Red
67	LED6 Green
68	LED6 Blue
69	LED6 Function
70	LED6 Dim
71	
72	LED7 X
73	LED7 Y
74	LED7 Red
75	LED7 Green
76	LED7 Blue
77	LED7 Function
78	LED7 Dim
79	

© 2014, High End Systems, Inc. All specifications subject to change without notice.



**HIGH END SYSTEMS**  
a Barco company

**High End Systems**  
2105 Gracy Farms Lane  
Austin, TX 78758 USA

voice: 512.836.2242  
fax: 512.837.5290  
Toll Free: 800.890.8989

**Customer Service**  
2105 Gracy Farms Lane  
Austin, TX 78758 USA

voice: 800.890.8989  
fax: 512.834.9195  
Toll free: 800.890.8989