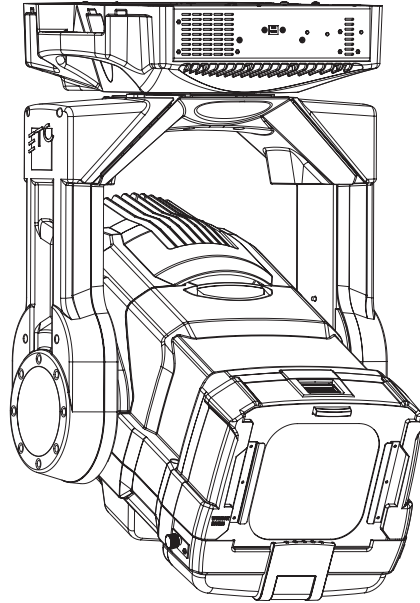




100V 115/120V 230/240V

with WYBRON® INSIDE  
S4R Series

## SPECIFICATIONS

Automated ellipsoidal lighting fixture

### PHYSICAL

- Die cast aluminum construction
- Rugged plastic covers for field-serviceable areas
- CE marked and ETL tested to UL 1573 standards
- High strength yoke for hanging in any orientation

### STANDARD FEATURES

- Integral ultra-quiet Pulse Width Modulated (PWM) 0-77V Dimmer
- 54° Pan / 270° Tilt
- 15°-35° Zoom
- QuietDrive™ low-noise motor control technology (Patent Pending)
- Advanced cooling design for ultra-quiet operation
- Integral 24-frame capacity color scroller with Wybron technology for speed and accuracy
  - Convenient quick-change gel cartridge
  - Ships with 12-color ETC standard gel string
- Accessory slot with retainer
- Internal Media Frame
  - For insertion of diffusion or color media into beam
- Soft to crisp focus for gobos
- Two module bays for the addition of optional features
  - Bays allow the tool-free installation of additional features
- Fixture power not required for addressing
- On-board test functions
- Pan and tilt locks for handling convenience

### ELECTRICAL AND DATA

- 100V-240V, 50/60Hz, 950W peak power consumption
- Flicker-free electronic UPS and internal dimmer are auto-ranging for world-wide use.
- Power input via PowerCon™ connector.
- Efficient CAN-BUS protocol for simplified internal wiring harness
- Rotary switch address assignment

### LAMP

- QXL™ 750W/77V Maximum
- QXL – Quick eXchange Lamp provides one-hand replacement in seconds and disconnects lamp power automatically
- Ultra compact tungsten filament geometry contained in a Krypton/Xenon quartz envelope
- Both 300 hr. high-output and 1500 hr. long-life lamps available

### OPTICAL

- Dual aspheric zoom lens system with deposition anti-reflective coating
- Faceted borosilicate reflector with dichroic cold mirror coating reflects greater than 95% of visible light
- 90% of infrared radiation (I/R heat) removed from projected light beam
- Reflector secured with anti-vibration shock mounts
- Lenses easily accessible for cleaning
- Tool-free, one-hand lamp centering (X/Y) and peak/flat (Z) adjustment knobs

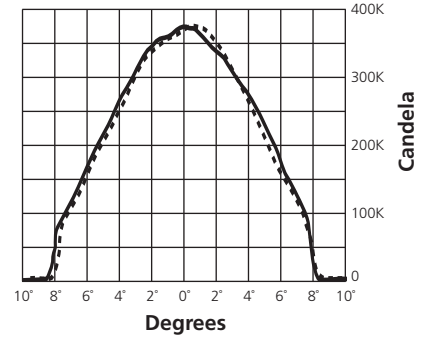
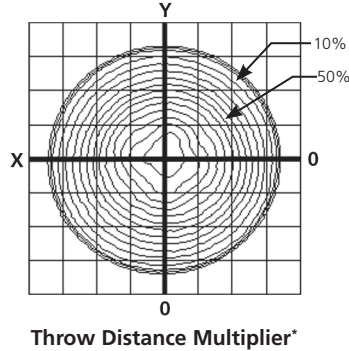
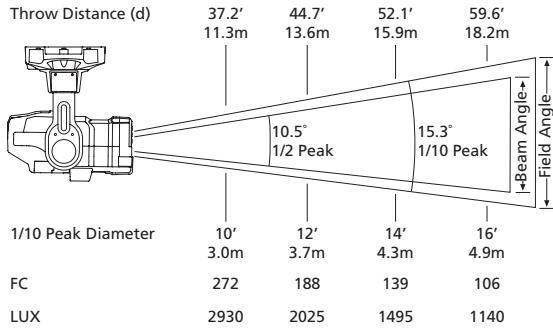
### OPTIONAL MODULES

- Auto-sensing plug-and-play modules for additional features.
- Iris Module – for beam size control down to 2.5°
- Shutter Module – 4 blades with 90° rotation for full-function framing
- Static Wheel Module – 3 positions plus open
- Rotating Wheel Module – 3 positions plus open
  - Indexes with 16-bit accuracy
- Note: Static Wheel and Rotating Wheel modules accept M-sized steel or glass gobos and filters



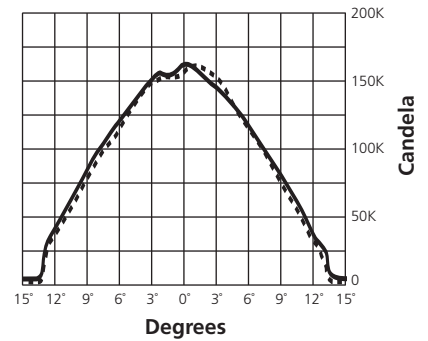
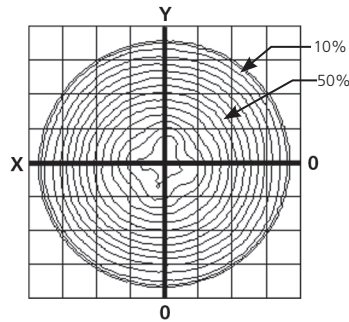
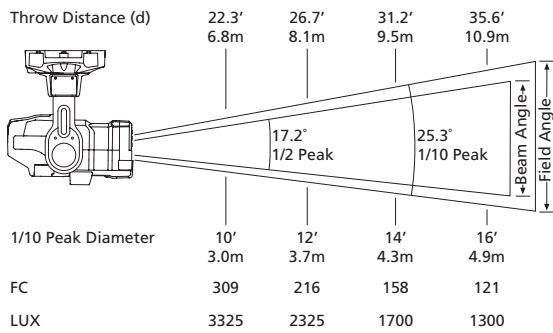
PHOTOMETRICS

Minimum Spread



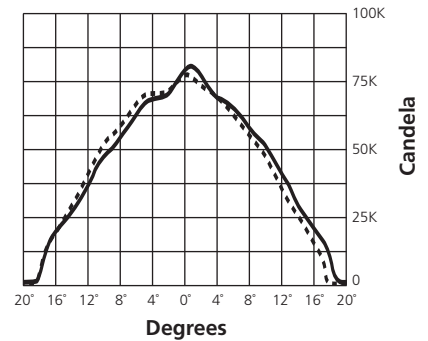
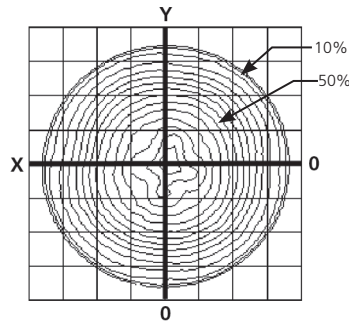
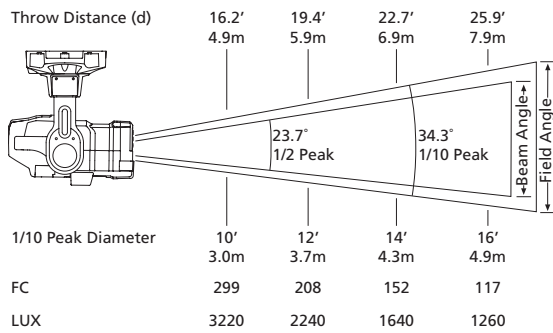
Degree	Candela	Field Lumens	Beam Lumens	Efficiency	Lumens Per Watt
15°	376,520	10,830	7,060	47.19%	14.4

Median Spread



Degree	Candela	Field Lumens	Beam Lumens	Efficiency	Lumens Per Watt
25°	153,730	11,760	7,425	51.24%	15.7

Maximum Spread

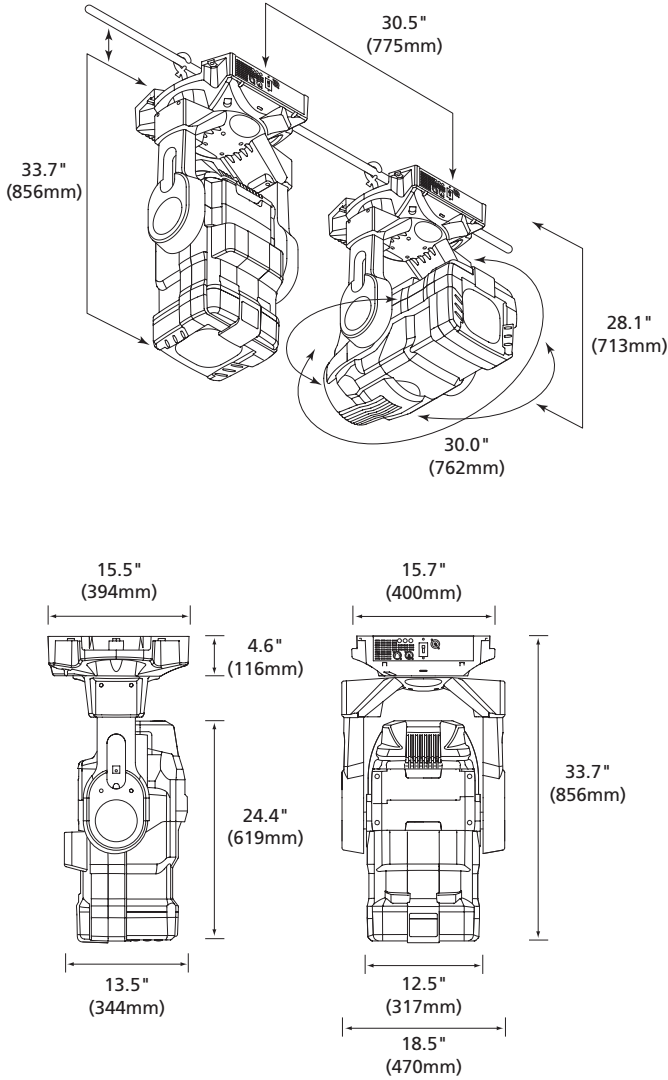


Degree	Candela	Field Lumens	Beam Lumens	Efficiency	Lumens Per Watt
35°	78,410	10,950	6,925	47.71%	14.6

All photometric data in this document was prepared using standard production fixtures, and the Prometric™ CCD measurement system. Fixtures were adjusted for blending (cosine) distribution, and were tested with a calibrated lamp at its rated voltage. All data were normalized to nominal lamp lumens. To determine illumination in footcandles or lux at any throw distance, divide candlepower by distance squared.

\* (distance from origin) = (throw distance) x (throw distance multiplier)

PHYSICAL



Source Four Revolution Weights

MODEL	WEIGHT		SHIPPING WEIGHT	
	lbs	kgs	lbs	kgs
S4R	74	33.6	80	36.5

\* Individual Module weights below.  
Add to Base Fixture Weight for total weight of configured Revolution unit.

Source Four Revolution Modules Weights

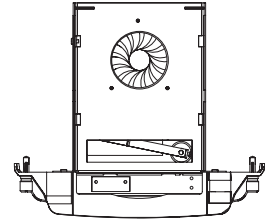
MODEL	WEIGHT		SHIPPING WEIGHT	
	lbs	kgs	lbs	kgs
BM	1.8	.85	4	1.9
IM	3	1.4	4	1.9
SWM	3	1.4	4	1.9
RWM	3.7	1.7	5	2.3
SM	10.4	4.7	12	5.5

MODULES

The base Revolution unit is equipped with two module bays. The fixture holds one or two of the following modules in any combination. Modules insert without need for tools, disassembly or other luminaire modification.

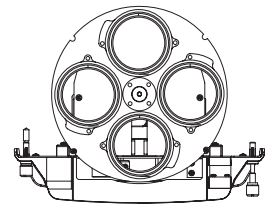
**IRIS MODULE**

- 18-leaf iris
- Smooth operation
- Simple, repeatable round beam-size control
- 2.5° minimum beam size (10.5 inches diameter at 20 feet)
- On-board auto-sensing electronics



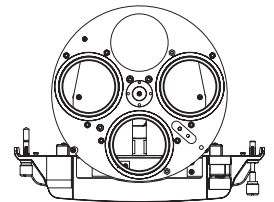
**STATIC WHEEL MODULE**

- Three slots, plus open
- Glass or steel gobos
- Dichroic color filters
- M-sized gobos or filters
- On-board auto-sensing electronics
- Recommended for use in front bay



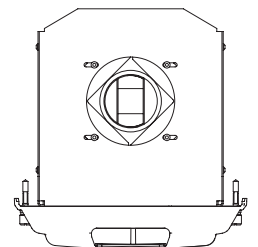
**ROTATING WHEEL MODULE**

- Rotating, counter-rotating and indexable gobos
- Steel and glass gobos accepted
- M-sized gobos
- On-board auto-sensing electronics
- Recommended for use in front bay



**SHUTTER MODULE**

- Four independent shutters on multiple planes
- Flexible beam shaping
- All shutters have 90-degree (+/- 45°) rotation
- On-board auto-sensing electronics
- For use in rear bay only



## DMX CHANNEL ASSIGNMENTS

DMX Channel	Function	Emphasis Attribute Name
1	Intensity	INT
2	Pan	PAN
3	Pan 2	
4	Tilt	TILT
5	Tilt 2	
6	Internal Media Frame	FROST
7	Focus	FOCUS
8	Zoom	ZOOM
9	Focus Timing	FocSpd
10	Color Timing	CSPD 1
11	Beam Timing	GSPD 1
12	Reset	MFUN
13	Gel 1	Clr2
14	Fan Speed Control	Fan Speed Control
15	Bay 1 – Iris	Lens
16	Bay 1 – Wheel Position	Gobo 1
17	Bay 1 – Rotating Wheel Function	GROT1
18	Bay 1 – Rotating Wheel Index/Rotation-Coarse	GFUN1
19	Bay 1 – Rotating Wheel Index/Rotation-Fine	
20	Bay 2 – Wheel Position	Gobo 2
21	Bay 2 – Rotating Wheel Function	GROT2
22	Bay 2 – Rotating Wheel Index/Rotation-Coarse	GFUN2
23	Bay 2 – Rotating Wheel Index/Rotation-Fine	
24	Blade 1 – In/Out	Fram1A
25	Blade 1 – Rotate	Fram1B
26	Blade 2 – In/Out	Fram2A
27	Blade 2 – Rotate	Fram2B
28	Blade 3 – In/Out	Fram3A
29	Blade 3 – Rotate	Fram3B
30	Blade 4 – In/Out	Fram4A
31	Blade 4 – Rotate	Fram4B

## ETC 12-COLOR STANDARD GEL STRING

Frame	Color Number	Color Name
1	Roscolux 00	Clear
2	Roscolux 33	No Color Pink
3	Roscolux 13	Straw Tint
4	Roscolux 57	Lavender
5	Roscolux 348	Purple Jazz
6	Roscolux 343	Neon Pink
7	Roscolux 23	Orange
8	Roscolux 371	Theater Booster 1
9	Roscolux 361	Hemsley Blue*
10	Roscolux 83	Medium Blue
11	Roscolux 26	Light Red
12	Roscolux 89	Moss Green

The Internal Media Frame is shipped with RoscoLux 119

Rosco donates the proceeds of the sale of Hemsley Blue to the Hemsley Foundation for the benefit of lighting design students.



**Corporate Headquarters** • 3031 Pleasant View Rd, PO Box 620979, Middleton WI 53562 0979 USA • Tel +1 608 831 4116 • Fax +1 608 836 1736  
**London, UK** • Unit 26-28, Victoria Industrial Estate, Victoria Road, London W3 6UU, UK • Tel +44 (0)20 8896 1000 • Fax +44 (0)20 8896 2000  
**Rome, IT** • Via Pieve Torina, 48, 00156 Rome, Italy • Tel +39 (06) 32 111 683 • Fax +44 (0)20 8752 8486

**Holzkirchen, DE** • Ohmstrasse 3, 83607 Holzkirchen, Germany • Tel +49 (80 24) 47 00-0 • Fax +49 (80 24) 47 00-3 00

**Hong Kong** • Room 1801, 18/F, Tower 1 Phase 1, Enterprise Square, 9 Sheung Yuet Road, Kowloon Bay, Kowloon, Hong Kong • Tel +852 2799 1220 • Fax +852 2799 9325

**Web** • www.etcconnect.com • Copyright©2010 ETC. All Rights Reserved. All product information and specifications subject to change. 7160L1002 Rev. G Printed in USA 12/10

Source Four® products protected by U.S. Patent Numbers 5,268,613, 5,345,371, and 5,775,799; Japanese Patent Number 2,501,772; US and International Patents Pending.

## ORDERING INFORMATION

## Source Four Revolution

MODEL	DESCRIPTION
S4R	Source Four Revolution automated ellipsoidal (black) ETC Source Four Revolutions are shipped with 12-color ETC standard gel string, two blank modules with integral M-sized gobo holder, User Manual, Safety Cable, <sup>1</sup> Tether Eyebolt Kit, and 3' PowerCon™ to bare-end pigtail  <sup>1</sup> This small eyebolt kit is for installation by end-user if required to attach a safety cable to front of fixture for scroller cartridge and accessories.

Also available in white.

## Connector Options

As above, except with optional connector as described	
S4R-A	3' PowerCon to parallel blade U-ground connector pigtail
S4R-B	3' PowerCon to two-pin and ground 20-amp pigtail (stage pin)
S4R-C	3' PowerCon to Grounded 20-amp Twist-Lock® pigtail

## Lamps

Lamp Code	Watts	Volts	Lumens	Color Temp.	Average Rated Life	Application
QXL750/77	750	77	22,950	3250	300 hrs.	High Output
QXL750/77X	750	77	18,000	3050	1500 hrs.	Long Life

## Modules

Note: Modules are sold separately from fixture. Wheel Modules ship without gobos. Standard M-sized gobos are available from various vendors.	
IM	Iris Module
SWM	Static Wheel Module
RWM	Rotating Wheel Module
SM	Shutter Module

## Accessories

PA-X	PowerCon to bare-end pigtail
PA-A	PowerCon to parallel blade U-ground connector pigtail
PA-B	PowerCon to two-pin and ground 20-amp pigtail (stage pin)
PA-C	PowerCon to Grounded 20-amp Twist-Lock pigtail
BM	Blank Module
CSC	Color Scroller Cartridge (Does not include gel string)
SGS12	Standard Gel String-12 color
RPC	Snap Clamp – hanging clamp for 2" pipe. Two per fixture required.

Other standard ETC products including safety cable, C-clamps, top hats may also be used with Source Four Revolution.

Note: The Revolution standard gel color palette has changed from the previous version.