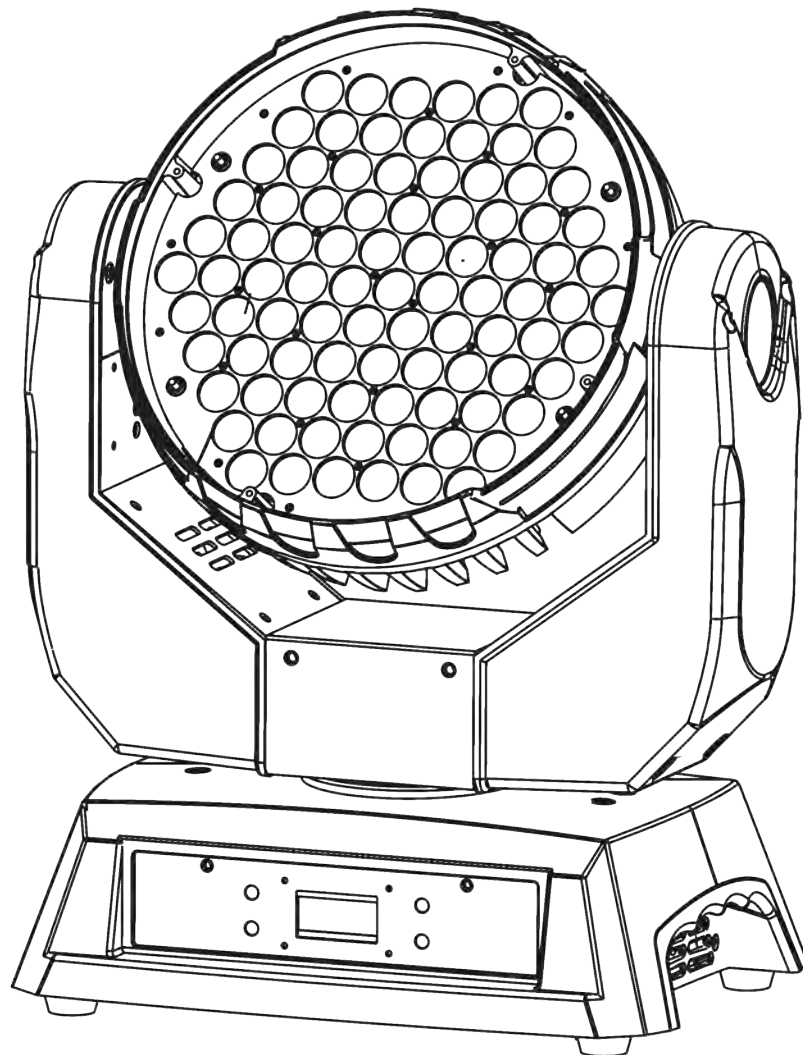


Q-WASH™ 360Z-LED

User Manual



CHAUVET®

Edition Notes

The Q-Wash 360Z-LED User Manual Rev. 01g covers the description, safety precautions, installation, programming, operation, and maintenance of the Q-Wash 360Z-LED. CHAUVET® released this edition of the Q-Wash 360Z-LED User Manual in June 2011.

Trademarks

CHAUVET® is a registered trademark of CHAUVET & Sons Inc. (d/b/a CHAUVET® or Chauvet). The CHAUVET® logo in its entirety including the Chauvet name and the dotted triangle, and all other trademarks on this manual pertaining to services, products, or marketing statements (example: It's Green Thinking™) are owned or licensed by CHAUVET®. Any other product names, logos, brands, company names, and other trademarks featured or referred to within this document are the property of their respective trademark holders.

Copyright Notice

CHAUVET® owns the content of this user manual in its entirety, including but not limited to pictures, logos, trademarks, and resources.

© Copyright 2011 CHAUVET®. All rights reserved.

Electronically published by CHAUVET® in the United States of America.

Manual Usage

CHAUVET® authorizes its customers to download and print this manual for professional information purposes only. CHAUVET® expressly prohibits the usage, copy, storage, distribution, modification, or printing of this manual or its content for any other purpose without its written consent.

Document Printing

For better results, print this document in color, on letter size paper (8.5 x 11 inches), double sided. If using A4 paper (210 x 297 mm), configure your printer to scale the content accordingly.

Intended Audience

Any person in charge of installing, operating, and/or maintaining this product should read the guide that shipped with it as well as this manual in their entirety before installing, operating, or maintaining this product.

Disclaimer

CHAUVET® believes that the information contained in this manual is accurate in all respects. However, CHAUVET® assumes no responsibility for any error or omissions in this document. CHAUVET® reserves the right to revise this document and to make changes from time to time in the content hereof without obligation of CHAUVET® to notify any person or company of such revision or changes. This does not constitute in any way a commitment by CHAUVET® to make such changes. CHAUVET® may issue a revision of this manual or a new edition of it to incorporate such changes.

CHAUVET® Publications Hot Line

If you have any comments about the accuracy of this document or general suggestions regarding how we can improve it, please call us at (800) 762-1084 (US callers) or +1-954-929-1115 (international callers). You can download the latest versions of all CHAUVET® products' manuals from www.chauvetlighting.com.

Document Revision

The Q-Wash 360Z-LED User Manual Rev. 01g supersedes all previous versions of this manual. Please discard any older versions of this manual you may have, whether in printed or electronic format, and replace them with this version.

Author	Editor	Manager	PD Manager
O. Desmonteix	D. Coupepe	M. Graham	F. Sellers

Table of Contents

1. Before You Begin	1
What is Included	1
Unpacking Instructions	1
Typographic Conventions	1
Icon Meaning	1
Product at a Glance	1
Safety Notes	2
Expected LED Lifespan	2
2. Introduction	3
Product Description	3
Features	3
<i>Additional Features</i>	3
Product Overview	4
Product Dimensions	5
3. Setup	6
AC Power	6
<i>AC Plug</i>	6
<i>Fuse Replacement</i>	6
DMX Linking	7
<i>DMX Modes</i>	7
<i>Master/Slave Connectivity</i>	7
Mounting	8
<i>Orientation</i>	8
<i>Rigging</i>	8
4. Operation	9
Control Panel Description	9
Control Options	9
Programming	9
<i>DMX Operation</i>	9
<i>Stand-alone Operation</i>	9
<i>Master/Slave</i>	10
<i>Display Mode</i>	10
<i>Software Version</i>	10
<i>Keylock</i>	10
<i>Fan</i>	10
<i>Reset</i>	10
<i>Dimmer Curve</i>	11
<i>Fader Reversal</i>	11
<i>Range Limitation</i>	11
<i>Reset Control</i>	11
<i>Move-in Black</i>	12
<i>Power</i>	12
<i>Color Settings</i>	12
<i>Fan Control</i>	12
<i>Color Calibration</i>	12
<i>White Calibration</i>	13
<i>System Default</i>	13
<i>Edit Custom</i>	13
Menu Map	14
Extra Menu	15
DMX Values	16
<i>BASIC</i>	16
<i>ADVANCED</i>	17

5. Technical Information	18
Fixture Maintenance.....	18
Troubleshooting Guide.....	19
Returns Procedure.....	20
Claims	20
Contact Us.....	20
Technical Specifications.....	21

1. Before You Begin

What is Included

- One Q-Wash 360Z-LED
- One IEC power cord with Edison plug (US market)
- One safety cable
- Two omega brackets
- Warranty Card
- Quick Reference Guide

Unpacking Instructions

Immediately upon receiving this product, carefully unpack it and check the container in which you received it. Make sure that you have received all the parts indicated above and that they are all in good condition. If the material inside the container (this product and any other accessory included with it) appears damaged from shipping, or if the container shows signs of mishandling, notify the shipper immediately. In addition, retain the container and all the packing material for inspection.

See the *Claims* section in the *Technical Information* chapter.

Typographic Conventions

Convention	Meaning
1~512	A range of values in the text
50/60	A set of mutually exclusive values in the text
<i>Claims</i>	A new term, or a section or chapter in this document
“COLORado™ 1 UM”	The name of another publication or manual
<SET>	A button on the fixture’s control panel
Settings	A fixture function or a menu option
MENU > Settings	A sequence of menu options
1~10	A range of menu values from which to choose in a menu
Yes/No	A set of two mutually exclusive menu options in a menu
ON	A unique value to be entered or selected in a menu

Icon Meaning

Icon	Meaning
	This icon indicates critical installation, configuration, or operation information. Failure to comply with this information may render the fixture partially or completely inoperative, damage third-party equipment, or cause harm to the user.
	This icon indicates important installation or configuration information. Failure to comply with this information may prevent the fixture from functioning correctly.
	This icon indicates useful, although non-critical information.



The term “DMX” used throughout this document refers to the USITT DMX512-A transmission protocol.

Product at a Glance

Use on Dimmer	X	Auto Programs	P
Outdoor Use	X	Auto-ranging Power Supply	P
Sound Activated	X	Replaceable Fuse	P
DMX	P	User Serviceable	X
Master/Slave	P	Duty Cycle	X

Safety Notes

Please read the following notes carefully because they include important safety information about the installation, usage, and maintenance of this product. It is important to read all these notes before starting to work with this product.



There are no user serviceable parts inside this product. Any reference to servicing it you may find from now on in this User Manual will only apply to properly CHAUVET® certified technicians. Do not open the housing or attempt any repairs unless you are one of them.



Please refer to all applicable local codes and regulations for the proper installation of this product.

Personal Safety

- Avoid direct eye exposure to the light source while the fixture is on.
- Always disconnect this product from its power source before servicing.
- Always connect this product to a grounded circuit to avoid the risk of electrocution.
- Do not touch this product's housing when operating because it may be hot.

Mounting and Rigging

- This product is for indoor use only! To prevent risk of fire or shock, do not expose this product to rain or moisture.
- Make sure there are no flammable materials close to this product while operating.
- When hanging this product, always secure it to a fastening device using a safety cable (included).
- Do not carry this fixture from the head; use the handles instead.

Power and Wiring

- Always make sure that you are connecting this product to the proper voltage, as per the specifications in this manual or on the product's sticker.
- Never connect this product to a dimmer pack or rheostat.
- Never disconnect this product by pulling or tugging on the power cable.

Operation

- Do not operate this fixture if you see damage on the housing, lenses, or cables. In any of these cases, have the damaged parts replaced by an authorized technician at once.
- Do not cover the ventilation slots when the fixture is operating to avoid internal overheating.
- Do not aim this fixture toward the Sun. Otherwise, the lenses could concentrate the solar energy and cause internal overheating.
- The maximum ambient temperature (Ta) is 104° F (40° C). Do not operate this product at a higher temperature.
- In case of a serious operating problem, stop using this product immediately!



In the unlikely event that your CHAUVET® product may require service, please contact CHAUVET® Technical Support.

Expected LED Lifespan

LEDs gradually decline in brightness over time, mostly because of heat. Packaged in clusters, LEDs exhibit higher operating temperatures than in ideal, single LED conditions. For this reason, using clustered LEDs at their fullest intensity significantly reduces the LEDs' lifespan. Under normal conditions, this lifespan can be of 40,000 to 50,000 hours. If extending this lifespan is vital, lower the operational temperature by improving the fixture's ventilation and reducing the external temperature. In addition, limiting the overall projection intensity may also help to extend the LEDs' lifespan.

2. Introduction

Product Description

The Q-Wash 360Z-LED is an RGBW LED moving yoke, wash fixture.

It consists of a base section and a moving yoke with a pan range of up to 540°. The moving head, which has a tilt range of 270°, contains the 91 RGBW LEDs and the zoom motors. The base section has the 3- and 5-pin DMX input and output sockets, the IEC power input connector and the LCD based control panel.

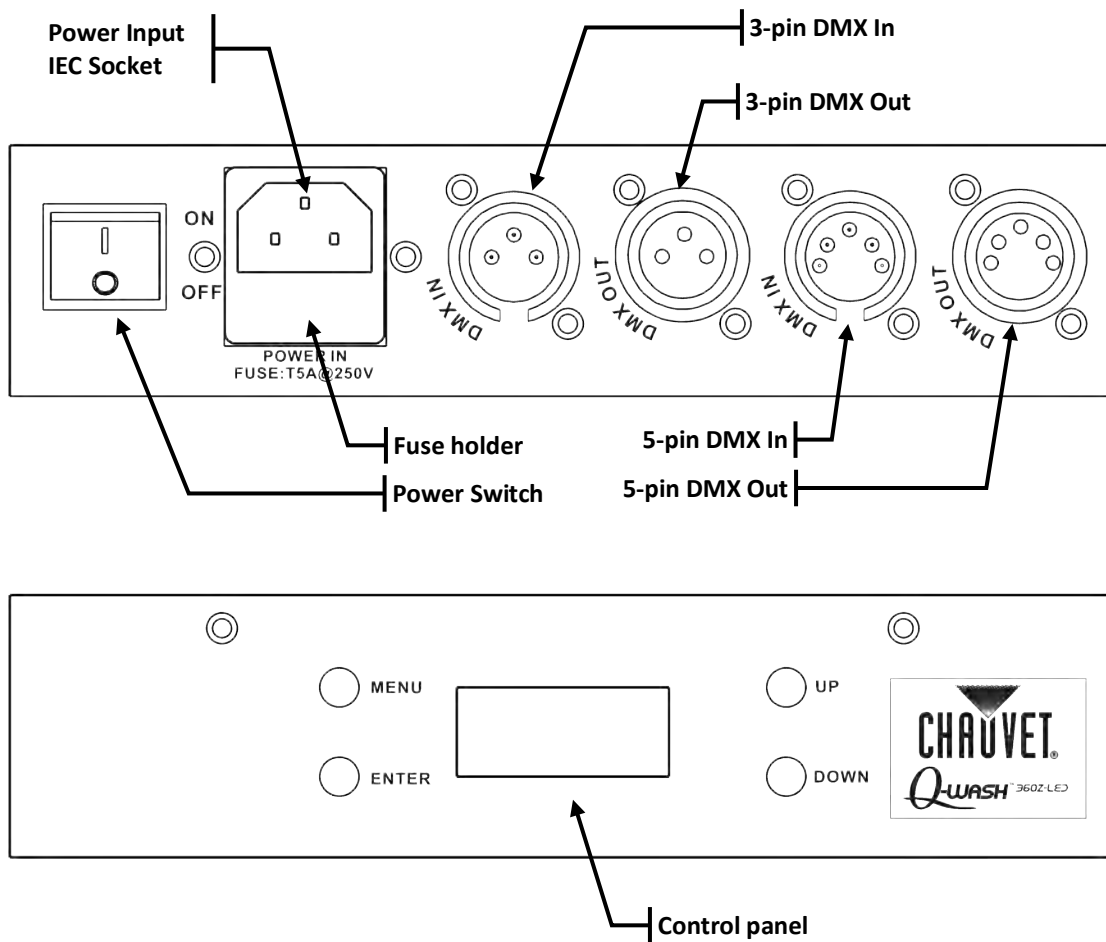
Features

- 11 or 15-channel
- Pan: 540°
- Tilt: 270°
- RGBW color static mixing with or without DMX control
- Continuously variable zoom (9°~26°)
- Electronic strobe (0~20 Hz)
- Electronic dimmer (0~100%).
- High power setting
- Built-in automated programs
- Remote fixture reset and vector speed channel
- 255-step fully customizable program
- Recall auto or custom programs via control panel or DMX
- Color temperature presets (3,200~10,000 K)
- Color calibration
- Fan speed control

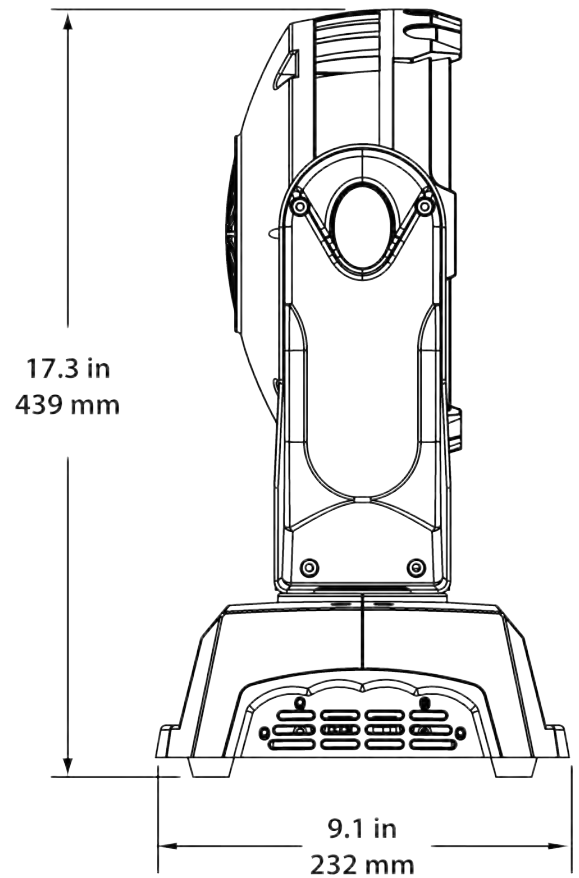
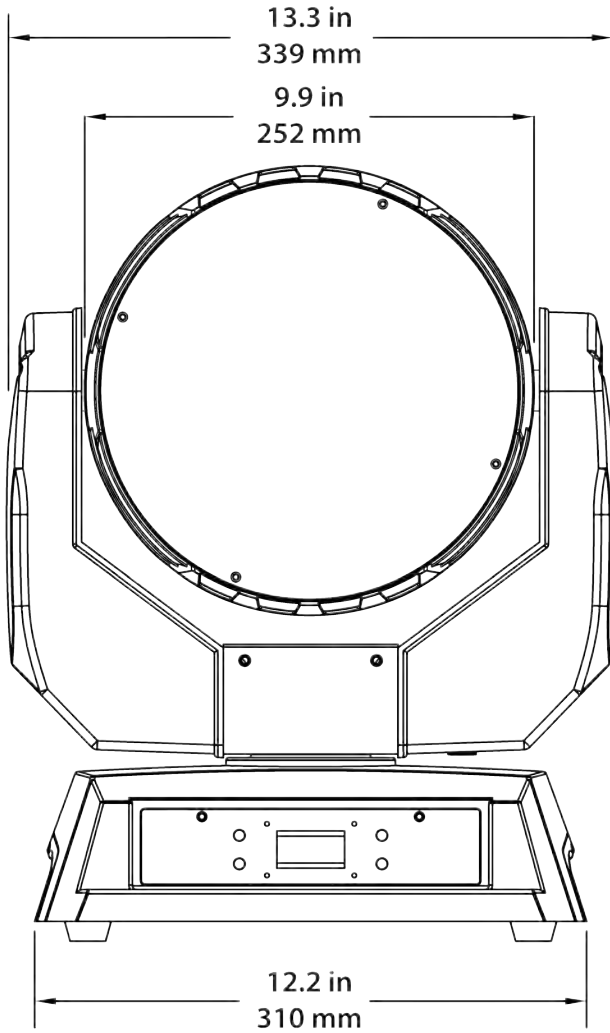
Additional Features

- 3- and 5-pin DMX input and output connectors
- LCD display with password protection

Product Overview



Product Dimensions



3. Setup

AC Power

The Q-Wash 360Z-LED has an auto-ranging power supply that can work with an input voltage range of 100~240 VAC, 50/60 Hz.

Make sure that you are connecting this product to the proper voltage, as per the specifications in this guide, the product's user manual, or on the product's sticker.



Always connect this product to a protected circuit with an appropriate electrical ground to avoid the risk of electrocution or fire.

To determine the power requirements for the Q-Wash 360Z-LED see the label affixed to the side of the fixture. Alternatively, you may refer to the *Technical Specifications* chart in the *Technical Information* chapter of this manual.

The listed current rating indicates the maximum current draw during normal operation. For more information, you may download the "Sizing the Circuit Breakers" document from the CHAUVET® Web site.



Never connect this product to a rheostat (variable resistor) or dimmer circuit, even if the rheostat or dimmer channel serves only as a 0 to 100% switch.

AC Plug

The Q-Wash 360Z-LED comes with a power input cord terminated with an IEC connector on one end and an Edison plug on the other end (US market). If the power input cord that came with your product has no plug or you need to change the Edison plug, use the table below to wire the new plug.

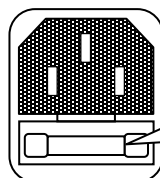
Connection	Wire (US)	Wire (Europe)	Screw Color (US)
AC Live	Black	Brown	Yellow or Brass
AC Neutral	White	Blue	Silver
AC Ground	Green/Yellow	Green/Yellow	Green



Make sure to disconnect the fixture's power cord before replacing a blown fuse, and always replace it with a fuse of the same type and rating.

Fuse Replacement

- 1) Wedge the tip of a flat head screwdriver into the slot of the fuse holder and pry it out of its housing.
- 2) Remove the blown fuse from its holder and replace it with a fuse of the exact same type and rating (T 5 A, 250 V).
- 2) Insert the fuse holder back in its place, and reconnect power.



The fuse is located inside this compartment. Remove it using a flat head screwdriver.

DMX Linking

You may link the Q-Wash 360Z-LED to a DMX controller using a standard DMX serial connection. If using other DMX compatible fixtures with this product, it is possible to control them individually with a single DMX controller.

If you are not familiar with the DMX standard, or if you need information about the DMX cables needed to link this product to a DMX controller, you may download the “DMX Primer” document from the CHAUVET® Web site.

DMX Modes

The Q-Wash 360Z-LED uses the standard DMX data connection for its Basic and Advanced DMX modes. You will find information about these DMX modes in the *Operation* chapter (configuration details), and the *DMX Values* section (individual channel values).

Master/Slave Connectivity

The Master/Slave mode allows a Q-Wash 360Z-LED fixture to control one or more fixtures of the same model without a DMX controller. The controlling fixture becomes the “master fixture” when running the Auto1, Auto2, or Custom programs. You must configure the controlled (slave) fixtures to operate in “SLAVE” mode from their respective control panels. During the Master/Slave operation, the slave fixtures will operate in unison with the master fixture.

The master links to the slave fixtures using the standard DMX serial connection. If you are not familiar with the Master/Slave connectivity, you may download the “DMX Primer” document from the CHAUVET® Web site.



DO NOT connect a DMX controller to the fixtures operating in Master/Slave mode. Otherwise, the signals from the DMX controller may interfere with the signals from the master fixture.



The *Operation* chapter of this manual provides detailed instructions on how to configure the Master and Slave units.

Mounting

Before mounting this product, read and follow the safety recommendations indicated in the *Safety Notes* section (page 2 of this manual).

Orientation

Always mount this product in any safe position while making sure that there is adequate room around it for ventilation, head motion, configuration, and maintenance.

Rigging

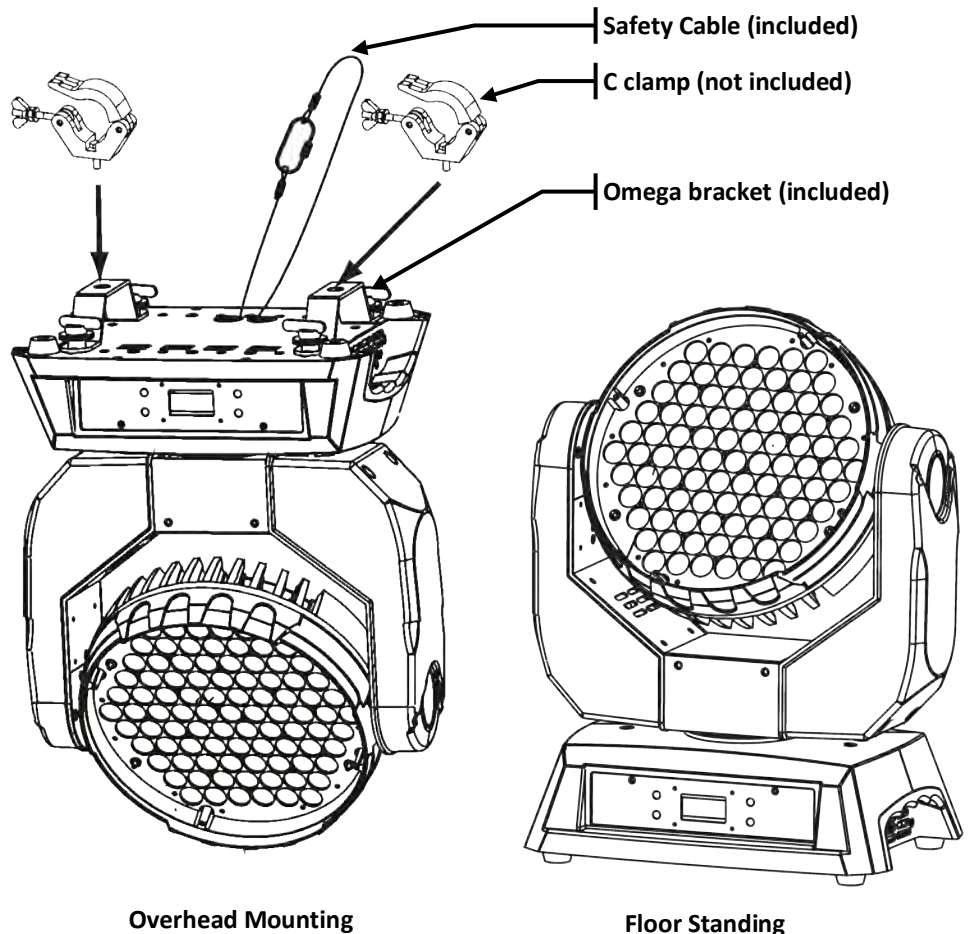
CHAUVET® recommends following the general guidelines below when mounting this product.

- When selecting an installation location, consider ease of access to the fixture for operation, programming adjustments, and routine maintenance.
- Make sure to mount this product away from any flammable material, as indicated in the *Safety Notes* section, or obstructions that may block the moving head.
- Never mount the product in places where rain, high humidity, extreme temperature changes, or restricted ventilation may affect it.
- If hanging this product, make sure that the location where you are mounting it can support its weight. Please see the *Technical Specifications* section of this manual for the weight requirement of this fixture.

Procedure

The Q-Wash 360Z-LED comes with two omega brackets to which you can attach “C” or “O” clamps. You must supply your own “C” or “O” clamps and make sure that they are capable of supporting the weight of this fixture. You will have to use two mounting points per fixture. The omega brackets also serve to anchor this product to a panel. For floor standing operation, this product has built-in rubber feet.

Product Mounting Diagram



4. Operation

Control Panel Description

Button	Function
<MENU>	Exits from the current menu or function
<ENTER>	Enables the currently displayed menu or sets the currently selected value in to the current function
<UP>	Navigates upwards through the menu list and increases the numeric value when in a function
<DOWN>	Navigates downwards through the menu list and decreases the numeric value when in a function

Control Options

You can set the Q-Wash 360Z-LED start address in the 001~512 DMX range. This allows for the control of up to 34 fixtures in the 15-channel ADVANCED personality.

Programming

Refer to the Menu Map on page 14 to learn how the menu options relate to each other. The menu map has a Menu Level and a variable number of programming levels for each option.

To go to an option in the Menu Level, press <MENU> repeatedly until the option shows on the display. Press <ENTER> to select it. This will take you to the first programming level for that option.

To select an option or value within the current programming level press <UP> or <DOWN> until it shows on the display. Press <ENTER> to accept it. In this case, if there is another programming level, you will see its first option. Otherwise, you will see the selected value.

To exit to the previous menu level, press <MENU>.



In the EDIT menu, <UP> and <DOWN> will only change the value of the current option. To change to the next option, press <ENTER>.

DMX Operation

- 1) Select DMX operation.
 - a) Go to **MENU > INTRO > RUN**.
 - b) Select **DMX512**.
- 2) Select a DMX mode.
 - a) Go to **MENU > INTRO > CHANNELS**.
 - b) Select **BASIC** or **ADVANCED**.
- 3) Select the starting address.
 - a) Go to **MENU > INTRO > ADDRESS**.
 - b) Select a starting address, **001~498** (Advanced) or **001~502** (Basic).

The highest recommended starting address for each of the two DMX modes are as follows:

BASIC: 502
ADVANCED: 498



Stand-alone Operation

- 1) Go to **MENU > INTRO > RUN**.
- 2) Select a stand-alone operation mode (**AUTO 1**, **AUTO 2**, **CUSTOM**, or **TEST**).



Of all the stand-alone operation modes indicated above, only “CUSTOM” is editable (see *Edit Custom*).

Continues on the next page

Continued from previous page

Master/Slave

The Master/Slave mode allows a group of Q-Wash 360Z-LED fixtures (the slaves) to simultaneously duplicate the output of another Q-Wash 360Z-LED (the master), whether static mode settings or auto/custom programs, without a DMX controller.

- 1) Set the master unit:
 - a) Select a stand-alone mode, as indicated above.
- 2) Set each of the slave units:
 - a) Go to **MENU > INTRO > RUN**.
 - b) Select **SLAVE**.



- **Do not connect a DMX controller to the master or slave fixtures.**
- **The master unit should be the first in the DMX string.**

Display Mode

This mode defines how the LCD's backlight will work.

- 1) Go to **MENU > INTRO > DISPLAY**.
- 2) Select a display mode (**60 CLOSE** or **BRIGHT**).



- **When in the “60 CLOSE” setting, the LCD’s backlight will turn off after 60 s.**
- **When in the “BRIGHT” setting, the LCD’s backlight will stay on.**

Software Version

This option will show the installed software version.

- 1) Go to **MENU > INTRO > INFO**.
- 2) The display will show **Edition**.
- 3) Press **<ENTER>** to see the installed software version.

Keylock

This option enables or disables the LCD key.

- 1) Go to **MENU > INTRO > KEYLOCK**.
- 2) Select **YES** or **NO**.



When in the “YES” setting, the user will have to enter the password after 30 seconds of control panel inactivity or each time he/she turns the fixture on.



The default (non-modifiable) password is <UP>, <DOWN>, <UP>, <DOWN>, and <ENTER>.

Fan

You can select the fan operation mode, as follows:

- 1) Go to **MENU > INTRO > FAN**.
- 2) Select **HIGH**, **NORMAL**, **LOW**, or **AUTO**.



The fixture’s controller will force the fan to High if the fixture’s internal temperature becomes too high, despite any manual or DMX setting.

Reset

This option allows you to reset all custom settings to their default values.

- 1) Go to **MENU > INTRO > RESET**.
- 2) Select **YES** or **NO**.

Continues on the next page

Continued from previous page

Dimmer Curve

To select the dimmer curve, do the following:

- 1) Go to **MENU > INTRO > DIMMER**.
- 2) Select **DIMMER0~4**.



DIMMER0: The output is proportional (linear) to the Dimmer and RGBW channel values.

DIMMER1~4: The output follows the Dimmer and RGBW channel values based on the corresponding dimmer curve, being **DIM1** the fastest and **DIM4** the slowest.

Fader Reversal

This option allows you to define how the pan, tilt, and dimmer increase based on the direction you move the corresponding fader.

- 1) Go to **MENU > INVERT > PAN**.
- 2) Select a fader direction (**NORMAL** or **REVERSE**).
- 3) Go to **MENU > INVERT > TILT**.
- 4) Select a fader direction (**NORMAL** or **REVERSE**).
- 5) Go to **MENU > INVERT > DIMMER**.
- 6) Select a fader direction (**NORMAL** or **REVERSE**).
- 7) Go to **MENU > INVERT > USE**.
- 8) Select **YES** to activate the new settings or **NO** to stop using them.



- **When in NORMAL, the pan, tilt, and dimmer values will increase as the position of the respective fader increases.**
- **When in REVERSE, the pan, tilt, and dimmer values will decrease as the position of the respective fader increases.**

Range Limitation

When it is necessary to limit the pan or tilt range, you can do the following:

- 1) Go to **MENU > RANGE > P/START**.
- 2) Select the starting point for the limited pan (**000~255**).
- 3) Go to **MENU > RANGE > P/FINISH**.
- 4) Select the finishing point for the limited pan (**000~255**).
- 5) Go to **MENU > RANGE > T/START**.
- 6) Select the starting point for the limited tilt (**000~255**).
- 7) Go to **MENU > RANGE > T/FINISH**.
- 8) Select the finishing point for the limited tilt (**000~255**).
- 9) Go to **MENU > RANGE > USE**.
- 10) Select **YES** to activate the new settings or **NO** to stop using them.

Reset Control

It is possible to select how you can reset the fixture, whether with the DMX controller or only from the control panel.

- 1) Go to **MENU > SPECIAL > RESET**.
- 2) Select **DMX** or **SYSTEM**.



DMX: Enables the DMX controller to reset the fixture (**Control** function).

SYSTEM: Restricts the reset function to the control panel..

Continues on the next page

Continued from previous page

Move-in Black

This option allows you to activate or deactivate the move-in black 3-seconds delay.

- 1) Go to **MENU > SPECIAL > BLACK**
- 2) Select **YES** to enable the 3 seconds delay or **NO** to make the blackout immediate.

Power

You may use this function to boost the output power for specific, short-term applications.

- 1) Go to **MENU > SPECIAL > POWER**.
- 2) Select **NORMAL** or **HIGH**.



The fixture will return to Normal if the LEDs' temperature becomes too high.

Color Settings

The **COLOR** setting determines how the Q-Wash 360Z-LED generates the white color based on various RGB settings.

- 1) Go to **MENU > SPECIAL > COLOR**.
- 2) Select **OFF**, **RGBTOW**, or **UC**.

UC: When the RGB faders are all set to "255", the output matches that of less efficient fixtures (Universal Color).

RGBTOW: When the RGB faders are all set to "255", the resulting output is defined by **RGB-W** (see **MENU > EXTRA > CALIB**).

OFF: When the RGB faders are all set to "255", the output is maximum, although the resulting white color may not be balanced.



Fan Control

This option defines how you can control the fan speed, whether with the DMX controller or only from the control panel.

- 1) Go to **MENU > SPECIAL > FAN**.
- 2) Select **DMX** or **SYSTEM**.

DMX: Enables the DMX controller to control the fan speed (**Control** function).

SYSTEM: Restricts the control of the fan speed to the control panel..



Color Calibration

If necessary, you may adjust the color temperature of each of the macros (**White1~11**).

- 1) Go to **MENU > EXTRA**.
- 2) Press **<ENTER>** (**PASSWORD**) will show on the display.
- 3) Press **<ENTER>** (******** will show on the display).
- 4) Enter the password, as explained in **Keylock (CALIB** will show on the display).
- 5) Press **<ENTER>** (**3200K** will show on the display).
- 6) Use **<UP>** or **<DOWN>** to select another color temperature (3400~10000 K), or press **<ENTER>** to edit the current temperature.
- 7) Select **RED**, **GREEN**, or **BLUE**.
- 8) Select a value (**000~255**).
- 9) Repeat for the other colors.

Continues on the next page

Menu Map

1 st Level	2 nd Level	3 rd Level	Description	
INTRO	ADDRESS	001-512	Selects a starting DMX address	
	RESET	NO/YES	Resets the fixture's custom settings	
	FAN	HIGH		Select the fan's operation mode.
		NORMAL		NOTE: The fan will go to High mode if the fixture's internal temperature becomes too high, despite any manual or DMX setting
		LOW		
		AUTO		
	RUN	DMX512		Selects DMX running mode
		AUTO 1		Selects the first automatic program
		AUTO 2		Selects the second automatic program
		CUSTOM		Selects the user customizable program
		SLAVE		Selects the Slave running mode
		TEST		Starts the fixture's test sequence
	CHANNELS	BASIC		Selects the 11-channel DMX mode
		ADVANCED		Selects the 15-channel DMX mode
	DISPLAY	60 CLOSE		Turns off the display after 60 seconds
BRIGHT			Keeps the display on	
KEYLOCK	NO/YES		Activates/deactivates the control panel password	
DIMMER	DIMMER4-1		Slow (DIMMER4) to fast (DIMMER1) dimmer curves	
	DIMMER0		Linear dimmer	
INFO	EDITION		Shows the version of the installed S/W	
INVERT	PAN	NORMAL/ REVERSE	Defines the direction of the pan fader	
	TILT		Defines the direction of the tilt fader	
	DIMMER		Defines the direction of the dimmer fader	
	USE	NO/YES	Activates the changes	
RANGE	P/START	000-255	Sets the pan start point (restricted range)	
	P/FINISH		Sets the pan end point (restricted range)	
	T/START		Sets the tilt start point (restricted range)	
	T/FINISH		Sets the tilt end point (restricted range)	
	USE		Activates the changes	
SPECIAL	BLACKD	NO/YES	Activates the move-in black delay (3 s)	
	RESET	DMX	The DMX controller can reset the fixture	
		SYSTEM	The control panel can reset the fixture	
	POWER	NORMAL/ HIGH	LEDs illuminate at normal or high intensity NOTE: The fixture will return to Normal if the LEDs' temperature becomes too high	
	COLOR	UC	RGBW = 255: The output matches that of older fixtures	
		RGBTOW	RGBW = 255: The RGBW output is set by RGB-W	
		OFF	RGBW = 255: The RGBW output is maximum	
	FAN	DMX	The DMX controller can set the fan speed	
SYSTEM		The control panel can reset the fan speed		
EDIT	STEP	000-255	Selects the program step	
	PAN		Selects the pan position	
	TILT		Selects the tilt position	
	SPEED		Selects the pan/tilt speed	
	RED		Combines red, green, blue, and white to obtain a custom color	
	GREEN			
	BLUE			
	WHITE			

Continues on the next page

Continued from previous page

1 st Level	2 nd Level	3 rd Level	Description
<i>EDIT</i> <i>(Cont.)</i>	<i>DIMMER</i>	000~255	Selects the dimmer value
	<i>STROBE</i>		Selects the strobe frequency and mode
	<i>ZOOM</i>		Select the zoom position
	<i>DIMSPEED</i>		Selects the dimmer speed
	<i>TIME</i>		Selects the step duration
		<i>USE</i>	NO/YES
<i>EXTRA</i>	<i>PASSWORD</i>	****	Opens the Extra menu (see below)

Extra Menu

1 st Level	2 nd Level	3 rd Level	4 th Level	Description
<i>CALIB</i>	3200 K	<i>RED</i>	000~255	Sets color temperature for White 1
		<i>GREEN</i>		
		<i>BLUE</i>		
	3400 K	<i>RED</i>		Sets color temperature for White 2
		<i>GREEN</i>		
		<i>BLUE</i>		
	4200 K	<i>RED</i>		Sets color temperature for White 3
		<i>GREEN</i>		
		<i>BLUE</i>		
	4900 K	<i>RED</i>		Sets color temperature for White 4
		<i>GREEN</i>		
		<i>BLUE</i>		
	5600 K	<i>RED</i>		Sets color temperature for White 5
		<i>GREEN</i>		
		<i>BLUE</i>		
	5900 K	<i>RED</i>		Sets color temperature for White 6
		<i>GREEN</i>		
		<i>BLUE</i>		
	6500 K	<i>RED</i>		Sets color temperature for White 7
		<i>GREEN</i>		
		<i>BLUE</i>		
	7200 K	<i>RED</i>		Sets color temperature for White 8
		<i>GREEN</i>		
		<i>BLUE</i>		
	8000 K	<i>RED</i>		Sets color temperature for White 9
		<i>GREEN</i>		
		<i>BLUE</i>		
	8500 K	<i>RED</i>		Sets color temperature for White 10
		<i>GREEN</i>		
		<i>BLUE</i>		
	10000 K	<i>RED</i>		Sets color temperature for White 11
		<i>GREEN</i>		
		<i>BLUE</i>		
<i>RGB-W</i>	<i>RED</i>	Sets color temperature for SPECIAL > COLOR > RGBTOW		
	<i>GREEN</i>			
	<i>BLUE</i>			
<i>DEFAULT</i>	<i>DEFAULT</i>	NO/YES	N/A	Defaults the fixture to factory settings

DMX Values

<i>BASIC</i>	Channel	Function	Value	Percent/Setting
	1	Pan	000 ó 255	0~540°
	2	Tilt	000 ó 255	0~270°
	3	Red	000 ó 255	0~100%
	4	Green	000 ó 255	0~100%
	5	Blue	000 ó 255	0~100%
	6	White	000 ó 255	0~100%
	7	Power and Color Macro	000 ó 005	No function
			006 ó 010	High power
			011 ó 030	R: 100% G: Up B: 0%
			031 ó 050	R: Down G: 100% B: 0%
			051 ó 070	R: 0% G: 100% B: Up
			071 ó 090	R: 0% G: Down B: 100%
			091 ó 110	R: Up G: 0% B: 100%
			111 ó 130	R: 100% G: 0% B: Down
			131 ó 150	R: 100% G: Up B: Up
			151 ó 170	R: Down G: Down B: 100%
			171 ó 200	R: 100% G: 100% B: 100% W: 100%
			201 ó 205	White 1: 3200 K
			206 ó 210	White 2: 3400 K
			211 ó 215	White 3: 4200 K
			216 ó 220	White 4: 4900 K
			221 ó 225	White 5: 5600 K
			226 ó 230	White 6: 5900 K
	231 ó 235	White 7: 6500 K		
	236 ó 240	White 8: 7200 K		
	241 ó 245	White 9: 8000 K		
	246 ó 250	White 10: 8500 K		
	251 ó 255	White 11: 10,000 K		
	8	Dimmer	000 ó 255	0~100%
	9	Strobe	000 ó 009	No function
			010 ó 255	01~20 Hz
	10	Zoom	000 ó 255	9°~26°
	11	Control	000 ó 019	No function
			020 ó 039	Pan/tilt black activation
			040 ó 059	Pan/tilt black deactivation
			060 ó 079	Automatic fan speed
			080 ó 099	Slow fan speed
			100 ó 119	Normal fan speed
			120 ó 139	High fan speed
			140 ó 149	Auto program 1 (3 s activation delay)
			150 ó 159	Auto program 2 (3 s activation delay)
			160 ó 169	Test (3 s activation delay)
			170 ó 179	Custom program (3 s activation delay)
			180 ó 199	No function
			200 ó 219	Reset (3 s activation delay)
			220 ó 255	No function

ADVANCED

Channel	Function	Value	Percent/Setting
1	Pan	000 ó 255	0~540°
2	Pan Fine	000 ó 255	Fine movement control
3	Tilt	000 ó 255	0~270°
4	Tilt Fine	000 ó 255	Fine movement control
5	Pan/Tilt Speed	000 ó 255	Fast~Slow
6	Red	000 ó 255	0~100%
7	Green	000 ó 255	0~100%
8	Blue	000 ó 255	0~100%
9	White	000 ó 255	0~100%
10	Power and Color Macro	000 ó 005	No function
		006 ó 010	High power
		011 ó 030	R: 100% G: Up B: 0%
		031 ó 050	R: Down G: 100% B: 0%
		051 ó 070	R: 0% G: 100% B: Up
		071 ó 090	R: 0% G: Down B: 100%
		091 ó 110	R: Up G: 0% B: 100%
		111 ó 130	R: 100% G: 0% B: Down
		131 ó 150	R: 100% G: Up B: Up
		151 ó 170	R: Down G: Down B: 100%
		171 ó 200	R: 100% G: 100% B: 100% W: 100%
		201 ó 205	White 1: 3200 K
		206 ó 210	White 2: 3400 K
		211 ó 215	White 3: 4200 K
		216 ó 220	White 4: 4900 K
		221 ó 225	White 5: 5600 K
		226 ó 230	White 6: 5900 K
231 ó 235	White 7: 6500 K		
236 ó 240	White 8: 7200 K		
241 ó 245	White 9: 8000 K		
246 ó 250	White 10: 8500 K		
251 ó 255	White 11: 10,000 K		
11	Dimmer	000 ó 255	0~100%
12	Strobe	000 ó 009	No function
		010 ó 255	01~20 Hz
13	Zoom	000 ó 255	9°~26°
14	Dimmer Speed	000 ó 009	Set dimmer speed from control panel
		010 ó 029	Linear dimmer
		030 ó 069	Non-linear dimmer (fastest)
		070 ó 128	Non-linear dimmer
		130 ó 189	Non-linear dimmer
		190 ó 255	Non-linear dimmer (slowest)
15	Control	000 ó 019	No function
		020 ó 039	Pan/tilt black activation
		040 ó 059	Pan/tilt black deactivation
		060 ó 079	Automatic fan speed
		080 ó 099	Slow fan speed
		100 ó 119	Normal fan speed
		120 ó 139	High fan speed
		140 ó 149	Auto program 1 (3 s activation delay)
		150 ó 159	Auto program 2 (3 s activation delay)
		160 ó 169	Test (3 s activation delay)
		170 ó 179	Custom program (3 s activation delay)
		180 ó 199	No function
		200 ó 219	Reset (3 s activation delay)
		220 ó 255	No function

5. Technical Information

Fixture Maintenance

To maintain optimum performance and minimize wear, the user should clean this product frequently. Usage and environment are contributing factors in determining the cleaning frequency.

As a rule, the user should clean this product at least twice a month. Dust build up reduces light output performance and can cause overheating. This can lead to reduced light source life and increased mechanical wear.

To clean a fixture, follow the recommendations below:

- Unplug the fixture from power.
- Wait until the fixture is cold.
- Use a vacuum (or dry compressed air) and a soft brush to remove dust collected on the external vents and accessible internal components.
- Clean the LEDs cover with a mild solution of non-ammonia glass cleaner or isopropyl alcohol.
- Apply the solution directly to a soft, lint-free cotton cloth or a lens cleaning tissue.
- Drag any dirt or grime to the outside rim of the LEDs cover.
- Gently polish the LEDs cover until it is free of haze and lint.



Always dry the LEDs cover carefully after cleaning it.



Refrain from spinning this product's fans using compressed air.

Troubleshooting Guide

Symptom	Cause(s)	Action(s)
Fixture is on LEDs are off	Fixture defaulted	Configure fixture's parameters
	Faulty LED board	Send unit for repair
	Faulty LED Driver board	
	Faulty LED Control board	
	Faulty Display board	
Fixture and LEDs are on Head fan is off	Faulty head fan	Replace head fan
	Faulty sensor or wiring	Verify temperature sensor and wiring
Fixture and LEDs are on Zoom is inactive	Faulty wiring	Verify wiring
	Faulty zoom servo	Send unit for repair
	Faulty LED Control board	
	Faulty Display board	
Pan movement problem	Faulty sensor	Replace sensor
	Faulty pan belt	Replace pan belt
	Faulty pan motor	Replace pan motor
	Faulty Display board	Send unit for repair
Tilt movement problem	Faulty tilt sensor	Replace tilt sensor
	Faulty tilt belt	Replace tilt belt
	Faulty tilt motor	Replace tilt motor
	Faulty Display board	Send unit for repair
Circuit breaker/fuse keeps tripping/blowing	Excessive circuit load	Reduce total load placed on the electrical circuit
	Short circuit along the power wires	Check electrical wiring
Fixture does not power up	No power	Check for voltage on outlet
	Loose or damaged power cord	Check power cord
	Blown fuse	Replace fuse
	Faulty internal power supply	Send unit for repair
Fixture does not respond to wired DMX or responds erratically	Wrong DMX addressing	Check unit addressing
	Damaged DMX cables	Check DMX cables
	Wrong polarity on the controller	Check polarity switch settings on the controller
	Loose DMX cables	Check cable connections
	Non DMX cables	Use only DMX compatible cables
	Bouncing signals	Install terminator as suggested
	Long cable / low level signal	Install an optically coupled DMX splitter before a long section of cable or right after the fixture with the strong signal
	Too many fixtures	Install an optically coupled DMX splitter after unit #32
	Interference from AC wires	Keep DMX cables separated from power cables or fluorescent/black lights
	Faulty Display board	Send unit for repair



If you still experience technical problems after trying the above solutions or if you need to send the unit for repair, contact CHAUVET® Technical Support.

Returns Procedure

The user must send the merchandise prepaid, in the original box, and with its original packing and accessories. CHAUVET® will not issue call tags.

Call CHAUVET® and request a Return Merchandise Authorization (RMA) number before shipping the fixture. Be prepared to provide the model number, serial number, and a brief description of the cause for the return.

The user must clearly label the package with a Return Merchandise Authorization (RMA) number. CHAUVET® will refuse any product returned without an RMA number.



DO NOT write the RMA number directly on the box. Instead, write it on a properly affixed label.

Once you have received the RMA number please include the following information on a piece of paper inside the box:

- Your name
- Your address
- Your phone number
- The RMA number
- A brief description of the problem

Be sure to pack the fixture properly. Any shipping damage resulting from inadequate packaging will be the customer's responsibility. As a suggestion, proper UPS packing or double-boxing is always a safe method to use.



CHAUVET® reserves the right to use its own discretion to repair or replace returned product(s).

Claims

The carrier is responsible for any damage incurred during shipping to this product or any part that shipped with it. Therefore, if the received merchandise appears to have damages caused during shipping, the customer must submit the damage report and any related claims with the carrier, not CHAUVET®. The customer must submit the report upon reception of the damaged merchandise. Failure to do so in a timely manner may invalidate the customer's claim with the carrier.

For other issues such as missing components or parts, damage not related to shipping, or concealed damage, the customer must make claims to CHAUVET® within seven (7) days of receiving the merchandise.

Contact Us

World Headquarters

CHAUVET®

General Information

Address: 5200 NW 108th Avenue
Sunrise, FL 33351
Voice: (954) 929-1115
Fax: (954) 929-5560
Toll free: (800) 762-1084

Technical Support

Voice: (954) 929-1115 (Press 4)
Fax: (954) 756-8015
Email: tech@chauvetlighting.com

World Wide Web

www.chauvetlighting.com

United Kingdom & Ireland

CHAUVET® Europe Ltd.

General Information

Address: Unit 1C
Brookhill Road Industrial Estate
Pinxton, Nottingham, UK
NG16 6NT
Voice: +44 (0)1773 511115
Fax: +44 (0)1773 511110

Technical Support

Email: uktech@chauvetlighting.com

World Wide Web

www.chauvetlighting.co.uk

Technical Specifications

<i>Dimensions and Weight</i>	Length	Width	Height	Weight
	13.3 in (339 mm)	9.1 in (232 mm)	17.3 in (439 mm)	24.2lbs (11kg)

Note: Dimensions in inches rounded to the nearest decimal digit.

<i>Electrical</i>	Power Supply Type	Range	Voltage Selection
	Switching (internal)	100~240 V, 50/60 Hz	Auto-ranging

Parameter	120 V, 60 Hz	230 V, 50 Hz
Consumption	310 W	310 W
Operation/Inrush current	2.6 A/2.6 A	1.3 A/1.3 A
Fuse	T 5 A, 250 V	T 5 A, 250 V

Power I/O	US/Worldwide	Europe
Power input connector	IEC	IEC
Power cord plug	Edison (US)	Local plug

<i>Light Source</i>	Type	Power	Lifespan
	LED (91)	3 W	50,000 hours

Color	Quantity	Current
Red	23	800 mA
Green	23	800 mA
Blue	23	800 mA
White	22	800 mA

<i>Photo Optic</i>	Parameter	9°~26° Zoom
	Illuminance @ 5 m	6,171 lx (9° Zoom)
	Beam angle	9°~26°
	Field angle	14°~40°

<i>Motion</i>	Pan	Tilt
	0~540°	0~270°

<i>Thermal</i>	Max. External Temperature	Cooling System
	104° F (40° C)	Forced (fans)

<i>DMX</i>	I/O Connectors	Connector Type	Channel Range
	3- and 5- pin XLR	Sockets	11,15

<i>Ordering</i>	Product Name	Item Code	Item Number
	Q-Wash 360Z-LED	01010253	QWASH360ZLED

CHAUVET®
5200 NW 108th Avenue
Sunrise, FL 33351 (USA)
(800) 762-1084 – (954) 929-1115
FAX (954) 929-5560
www.chauvetlighting.com

Q-Wash 360Z-LED User Manual Rev. 01g
June 2011

The logo for Chauvet, featuring the word "CHAUVET" in a bold, sans-serif font with a registered trademark symbol. Above the letter "V" is a stylized, downward-pointing triangle filled with a halftone dot pattern.

It's Green Thinking