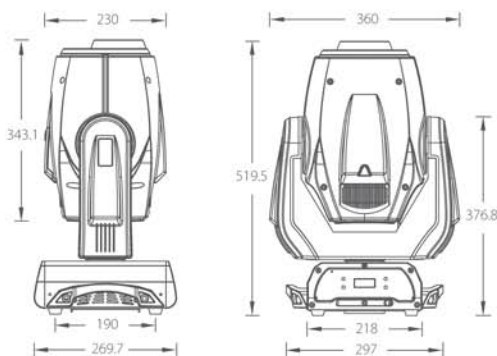


Q-Spot™ 460-LED

SPECIFICATIONS & FEATURES

CHAUVET®

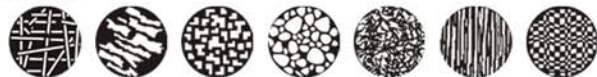


AT A GLANCE:

Rotating Gobos



Static Gobos



Colors



Key Features:

- 7, Powerful 10W LEDs produce tremendous output
- 6-slot rotating gobo wheel with interchangeable gobos, allows the user to add custom gobos
- 7-slot static gobo wheel
- 7-slot color wheel
- 3 facet rotating prism for stunning projections
- Move-in-black allows for precise programming
- Built-in sound active and auto programs for the user without the time to program.

About this light:

Q-Spot™ 460-LED is a precise, feature-rich moving yoke with a bright, even output from a patented LED optical system. The combination of dual gobo wheels, a richly saturated color wheel, and a three-facet prism enables advanced effects and smooth gobo morphing. Fitted with seven 10-watt long-life diodes, Q-Spot™ 460-LED is the perfect choice for punchy, razor-sharp projections in small concerts, mobile entertainment, or club and hospitality environments.

PRELIMINARY SPECIFICATIONS: (Subject to change without notice)

FEATURES

- Patented optical and lens path for superior output
- Crisp focus provides stunning gobo images
- Lightweight and easy to hang
- Quiet operation for the most discerning of installations
- DMX channels: DMX channels: 11 or 14
- Pan: 540°
- Tilt: 270°
- Colors Wheel: 7 colors, continuous scroll at variable speeds
- Gobo wheel (static): 7 gobos, continuous scroll at variable speeds
- Gobo wheel (rotating): 6 gobos, interchangeable, slot-n-lock, continuous scroll at variable speeds
- 3-facet rotating prism
- Variable electronic dimmer (0 ~ 100%)
- Remote fixture reset
- Move-in-black for pan/tilt
- Built-in automated programs
- Built-in sound activated programs
- 255 user-programmable steps without DMX controller
- High-powered, 7 (10W) LEDs
- User-selectable pan/tilt ranges
- Automatic pan/tilt correction
- Reset to factory settings option
- User-selectable basic or advanced operating modes
- Easy access door for gobo change

SPECIFICATIONS

- DMX connectors: 3-pin & 5-pin
- Pan & tilt: 540° / 270°
- Source: 7 (10W) LEDs, 50,000 hours
- Configuration: 7 White (3 A x 3.33 VDC = 10 W)
- Strobe Speed: 0 - 20hz
- Beam angle: 16°
- Lux: 2,240 @ 5 m
- AC Voltage Range: 100~240 V, 50/60 Hz (auto-ranging)
- Dimensions: 14.2 x 10.6 x 20.5 in (360 x 270 x 520 mm)
- Weight: 26.5 lbs (12 kg)
- Environment: IP20, dry location
- Power Connection: NEUTRIK® powerCON®
- Control Connection: 3-pin and 5-pin DMX input and output connectors
- Cabling: NEUTRIK® powerCON® extension (18 in, 5/10/25 ft)
- Certification: CE

www.chauvetlighting.com
www.chauvetlighting.co.uk

CHAUVET®