



## **XS 1500 Wash/Beam**

**PR-2835M**

The XS 1500 WASH/BEAM is belong to XS 1500 series, with both wash and beam available in one that makes it possible and easy to be converted via DMX. Besides, with 4.5°in highlight mode(Beam) and 12°~31.5°linearly zoom(Wash).

### **Key Features:**

- 1500W discharge lamp
- CYM color mixing + 6 dichroic color filters + Macro
- 6 fixed gobos (all easily interchangeable)
- Beam Angle:  
Wash: linearly zoom from 12°to 31.5°(16-bit)  
Beam: 4.5°in highlight mode
- 0-100% linearly adjustable dimmer
- Double strobe/shutter blades, 0.3~25 F.P.S
- Channels: Short Mode: 12, Standard Mode: 15
- Extended Mode: 20
- Pan 540°, Tilt 270°, auto position correction, speed adjustable, with lock mechanism
- Ultra-quiet and smooth operation with advanced control technology
- An energy saving design of the ballast
- Fault diagnosis system by sensors
- Isolating protection when ground is not connected
- Network interface reserved
- Fast and easy for installation and maintenance

### **Standard Accessories:**

G clamps, 2 pcs; XLR connectors, 1 pc;  
Safety cord, 2 pcs; Power Cord, 1 pc

**Optional Accessories:** Ω clamps, 2 pcs

### **Technical Data:**

**Voltages:** 220V/230V AC, 50/60Hz

**Optional:** 200V/240V AC, 50/60Hz

**Power Consumption:** 1600W@220V

**Light Source:**

OSRAM SharXS HTI 1500 W/D7/60  
(6,000K, 750hrs, SFc10-4, double ended)  
Or PHILIPS MSR Gold 1510 SA/DE  
(5,800K, 750hrs,SFc10-4, double ended )

**COLOURS:**

Linear CYM colour mixing system with macro  
1 wheel with 6 dichroic colour filters plus white  
half color effect, With variable speed bi-directional rainbow effect  
Step/linear colour changing is available

**GOBOS:****1 Fixed gobo wheel :**

6 interchangeable gobos+ white  
Shaking and bi-directional wheel scrolling at variable speeds  
Gobo diameter:  $\Phi 36.3\text{mm}$   
Gobo image diameter: 23mm

**STROBE:**

Double shutter blades, 0.3~25 F.P.S

**HEAD MOVEMENT:**

Pan 540°, Tilt 270° with auto position correction

**BEAM ANGLE(Fresnel Lens )**

4.5 °high light output , Linear zooming 12° ~31.5°

**CONTROL:**

DMX512, 3 pin and 5 pin interfaces  
RDM control protocol

**OTHER FUNCTIONS:**

Adjustable Pan & Tilt speed  
Fixture and lamp usage time display  
LCD display with English and Chinese language menu ,brightness and contrast adjustable  
Energy saving function of the ballast  
Built-in analyzer for easy fault finding, error messages

Modular construction for easy maintenance

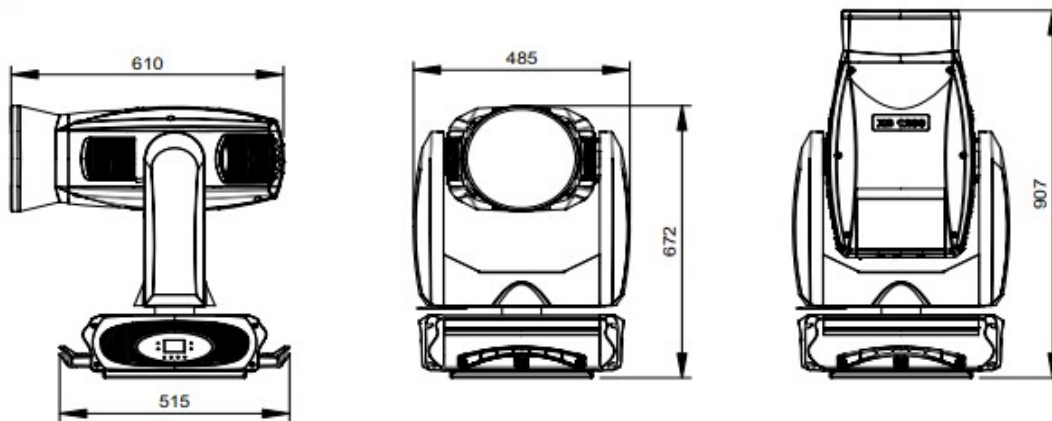
replica breitling watches

**HOUSING:**

Composite plastic, IP20

**WEIGHT:** 41Kg

**SIZES:**



**LIGHT OUTPUT:**

