



XR 230 Spot

PR-2200

The XR 230 Spot has a linear zoom from 3.8° to 42°.

Key Features:

- OSRAM 230W lamp
- Beam angle 3.8° ~ 42° , linearly adjustable
- CYM Color mixing+ 14 color filters+ white
- 17 fixed gobos + 9 rotating gobos
- 1 x 3-facet rotating prism
- 1 frost filter
- Focus controlled by DMX, 0-100% linearly adjustable
- 0-100% linearly adjustable dimmer
- 5-100% linearly adjustable iris with Macro
- Double shutter blades, 0.3~20 F.P.S
- Short mode, 23; Standard mode, 28; Extended mode,35; Self-test mode
- Pan 540°, Tilt 270° with auto position correction, speed adjustable, with lock mechanism
- Weight: 22Kg
- IP20
- Modular construction for easy maintenance
- DMX512 wireless receiver
- DMX512 wireless transmitter (optional)

Standard Accessories:

G clamps, 2 pcs; XLR connectors, 1 set;
Safety cord, 1 pc;

Optional Accessories: Ω clamps, 2 pcs

1582 Xingye Avenue, Nancun, Panyu, Guangzhou, 511442, China
+86-20-3995 2379 Fax.: +86-20-3995 2330 www.pr-lighting.com

Technical Data:

Power Supply: 100V~240V AC, 50/60Hz

Power Consumption: 350W@220V

Light Source:

OSRAM 230W

(8,000K, PGJX36, 3000 hrs)

Color System:

CYM colour mixing + Macro+1 color wheel with 14 colors plus white

With variable speed bi-directional rainbow effect

Step/linear colour changing is available

Optical System:

Beam angle 3.8° ~ 42° linearly adjustable

Effect

Gobos:

1 **Fixed gobo wheel:** 17 gobos+ white

Shake and bi-directional wheel scroll at variable speeds

1 **Rotating gobo wheel:** 9 gobos +white

Shake and bi-directional wheel scroll at variable speeds

Prism:

1 x 3-facet rotating prism (bi-directional with variable speeds)

Frost:

1 frost filter

Focus:

0-100% linearly adjustable by DMX

IRIS:

5-100% linearly adjustable+ Macro

Strobe:

Double shutter blades, 0.3~25 F.P.S

1582 Xingye Avenue, Nancun, Panyu, Guangzhou, 511442, China
+86-20-3995 2379 Fax.: +86-20-3995 2330 www.pr-lighting.com

Head Movement:

Pan 540°, Tilt 270° with auto position correction

Control and Programming:

Control: DMX512, 3 pin and 5 pin interfaces

Channels: Short mode, 21; Standard mode, 25; Extended mode,31; Self-test mode

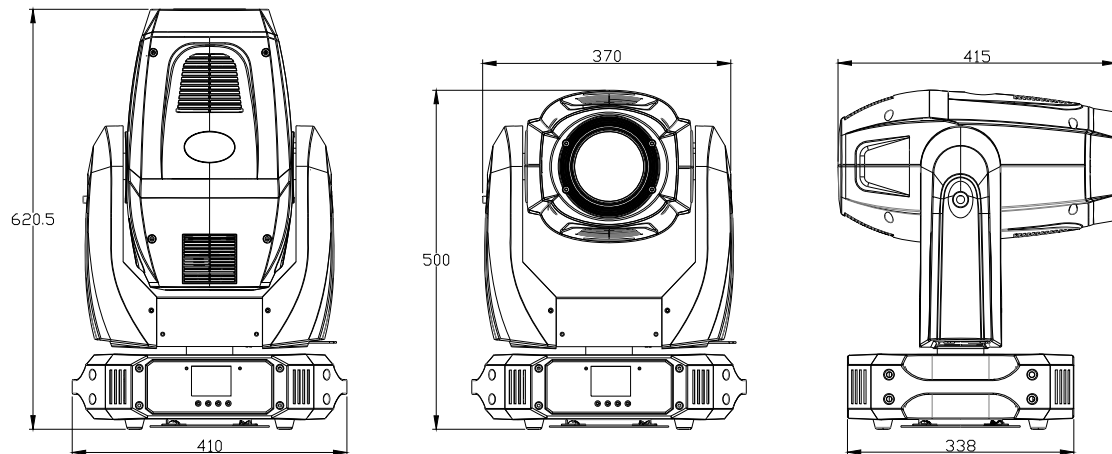
Physical Features:

Housing: Composite plastic, IP20

Weight: 22Kg

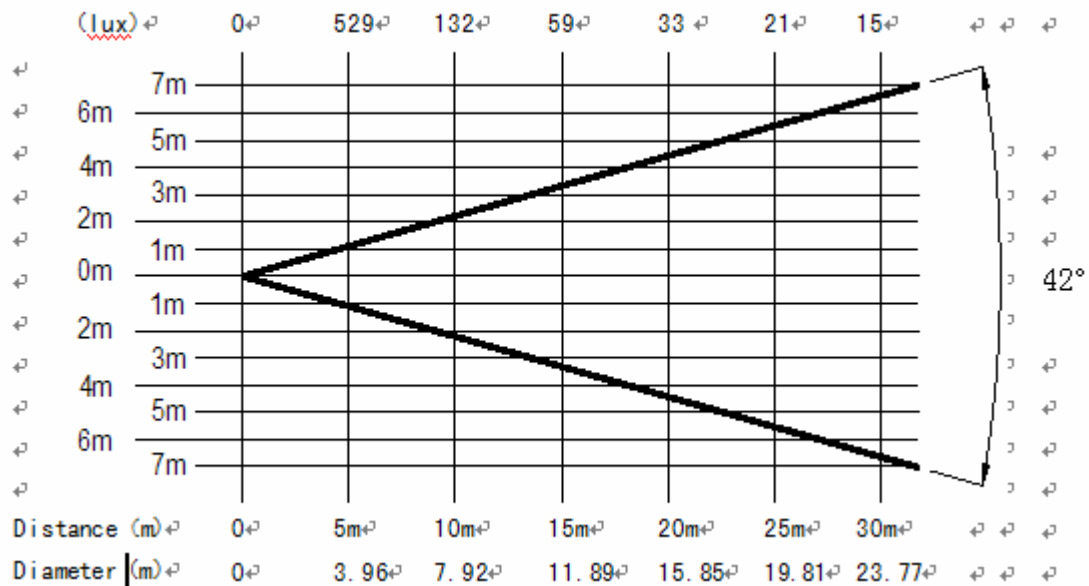
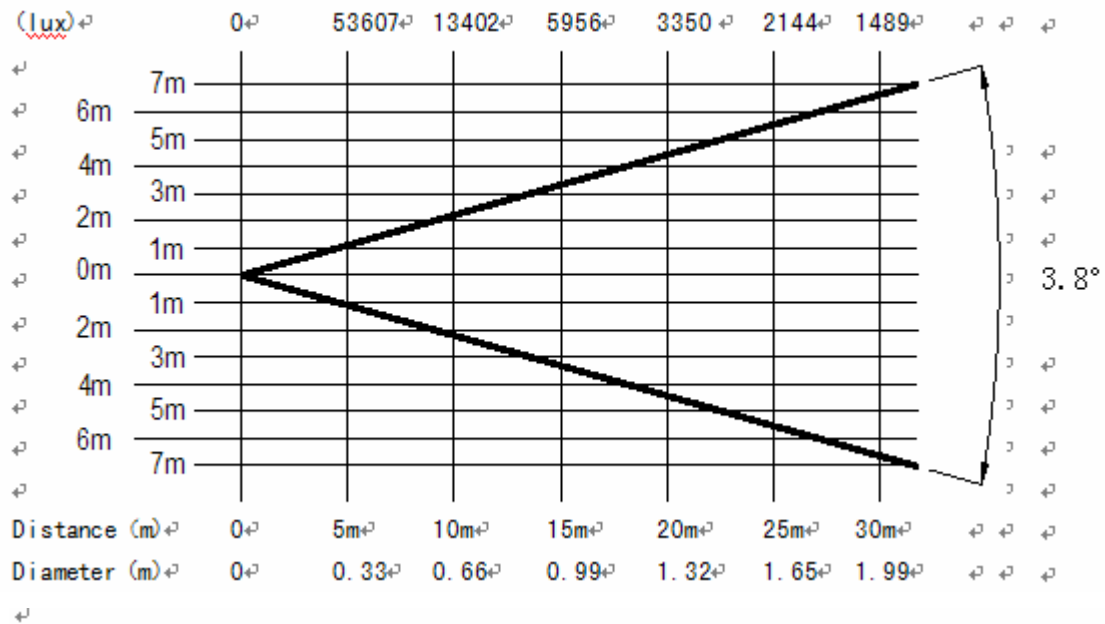
Gross Weight (in flight case): 54Kg

Size(mm):



Light Output:

1582 Xingye Avenue, Nancun, Panyu, Guangzhou, 511442, China
+86-20-3995 2379 Fax.: +86-20-3995 2330 www.pr-lighting.com



1582 Xingye Avenue, Nancun, Panyu, Guangzhou, 511442, China
 +86-20-3995 2379 Fax.: +86-20-3995 2330 www.pr-lighting.com