



**XLED 3007**

**PR-8125**

This product manual contains important information about the safe installation and use of this product. Please read and follow these instructions carefully before installing and using the product and keep this manual in a safe place for future reference.

PR LIGHTING LTD.  
<http://www.pr-lighting.com>

## TECHNICAL DATA

### **VOLTAGES:**

100V~240V AC,50/60Hz

### **LIGHT SOURCE:**

TYPE: LED LZ4-04MDCA

QUANTITY: 7 Pcs

LIFE SPAN: 50,000 Hrs

### **POWER CONSUMPTION:**

200W@220V

### **HEAD MOVEMENT:**

Pan: 720°,360°or Endless, Tilt : 270°or Endless

Pan Tilt Swap and Invert Function ; Auto-position correction and magnet positioning function

### **COLOR SYSTEM:**

RGBW linear color mixing with macro

### **DIMMER**

0-100% linearly adjustable

### **COLOR TEMPERATURE CORRECTION:**

Linear color temperature correction from 10000K to2700K.

### **STROBE:**

Electronic strobe, 0-25 F.P.S

### **LENS ANGLE:**

Beam Angle(1/2 Maximum) : 7°~42°

Field Angle(1/10 Maximum): 17°~60°

### **CONTROL:**

DMX512, 5 pin interfaces

18channels in standard mode, and 43 channels in extended mode.

Master/slave mode

Stand-alone mode, Preset mode, Self test mode, Single Scene mode

### **OTHER FUNCTIONS:**

Single LED control

Sound operation

Wireless control (optional)

Over temperature protection

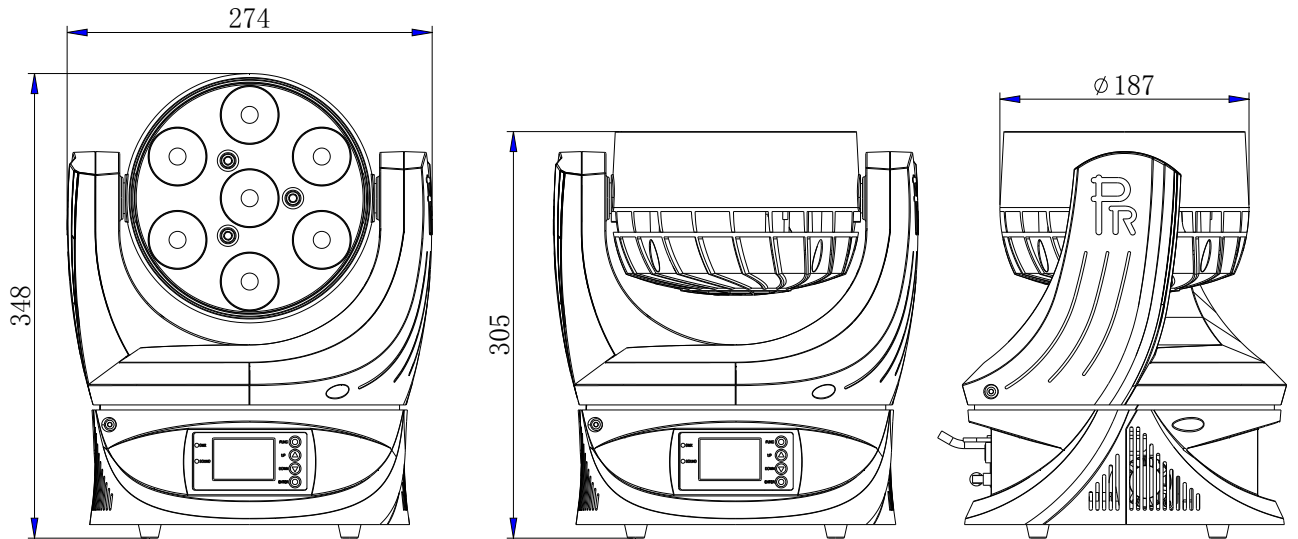
### **HOUSING:**

High temperature engineering-plastic, IP20

**WEIGHT:**

5.7Kg

**SIZES:**



**LIGHT OUTPUT :**

