

XLED 250 SPOT DATA SHEET



Standard Accessories:

- G clamps, 2 pcs; 5-pin XLR connectors, 1 set
- Safety cord, 1 pc

Optional Accessories: Ω clamps, 1 pc

TECHNICAL DATA

Power Supply: 90~264VAC 50/60HZ

Power Consumption: 120W@220V

Light Source:

Luminus 50W CBT-90-W LED

Optics System: Lens angle: 20°

Lens: high quality multi-coated lenses

Colour System:

- Color temperature: 6500K
- Color wheel: 8 Color + 1 white

Gobos System: 1 Fixed Gobo wheel: 11 Gobo + 1 White

Effect:

- Dimmer: 0-100% linearly adjustable
- Strobe: Electronic strobe, 0.3~20 F.P.S

Control and Programming:

- Control: DMX512, 5 pin interfaces, Master/slave mode
Stand-alone mode, Built-in mode
- Channels: ShortMode: 7, Standard Mode: 11

Head Movement:

- Pan 540° , Tilt 190° , Pan Tilt Swap and Invert Function
- Auto-position correction & Magnetic sensor positioning.

Physical Features:

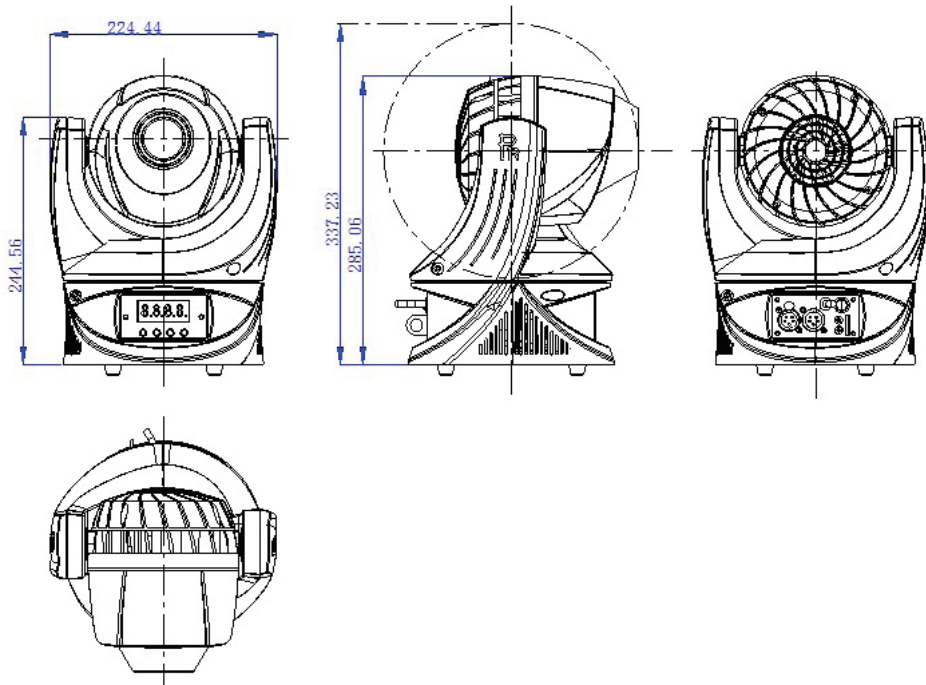
- Housing: High temperature engineering-plastic, IP20
- Weight: 4.5Kg
- Length: 224.44mm
- Width: 224.56mm
- Height: 337.27mm (head in vertical direction)

Physical Features:

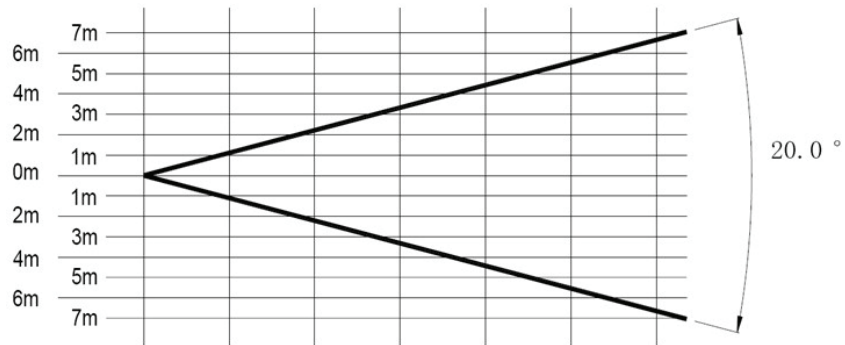
- Adjustable Pan & Tilt speed
- Fixture usage time display
- Software version display

Package Dimensions: Standard: 395x285x285(mm)/0.665Kg (Carton)

SIZE:



LIGHT OUTPUT:



Distance	0	1m	2m	3m	5m	10m	15m
lux	0	9290.3	2322.6	1032.3	371.6	92.9	41.3



Mega Systems Inc., US Distributor of PR Lighting
 www.megasystemsinc.com • info@megasystemsinc.com
 Toll Free: 866-460-MEGA • Local: 210-684-2600
 5718 Kenwick St., San Antonio, TX 78238

