



XLED 2007 Beam

PR-8123

This mini unit succeeds all the advantages from the XLED 336. Additionally, it is able to rotate endlessly.

Key Features:

- Power consumption: 120W@220V
- Light source: multi-chip LEDs 7×15W(RGBW 4 in 1)
- Color system: RGBW linear color mixing with macro
- Color temperature: linear correction 2700K~10000K
- Beam angle: 6°
- Effects: pulse strobe, rainbow and animation
- Dimmer: electronic dimming 0-100% linearly adjustable
- Strobe: electronic strobe 0~25F.P.S
- Control: 15 channels in standard mode and 28 channels in extended mode
- Preset memory and user memories
- Head movement: Pan 720° or Endless, Tilt 270° or endless
- Others: sensitive button, sound activation and wireless DMX(optional)
- Light weight: only 4.36 Kg

Standard Accessories:

G clamps, 1 pc; 5-pin XLR connectors, 1pc (without cables);
Safety cord, 1 pc;

Optional Accessories:

Ω clamps, 1 pc

Technical Data:

Power Supply: 100~240VAC, 50/60Hz

Power Consumption:120W@220V

Light Source:

7pcs OSRAM 15W LED (RGBW, 4 in 1), life: 50,000 hrs

Optics System:

Beam Angle: 6°

1582 Xingye Avenue, Nancun, Panyu, Guangzhou, 511442, China
+86-20-3995 2379 Fax.: +86-20-3995 2330 www.pr-lighting.com

Color System:

RGBW linear color mixing with Macro

Linear color temperature correction from 2700K to 10000K

Effect:

Dimmer: 0-100% linearly adjustable

Strobe: Electronic strobe,0.3~25 F.P.S

Control and Programming:

Control: DMX512, 5-pin interfaces, Master/Slave Mode; Stand-alone Mode; Preset mode; Self-test mode

Channels: Standard Mode: 15, Extended Mode: 28

Head Movement:

Pan: 720° or endless, Tilt: 270° or endless

Pan Tilt Swap and Invert function; Auto-position correction & Magnetic sensor positioning.

Physical Features:

Housing: High temperature engineering-plastic, IP20

Weight: 4.36 Kg

Other Functions:

Sensitive button

LCD display, brightness and contrast adjustable

Sound operation under Master-Slave mode

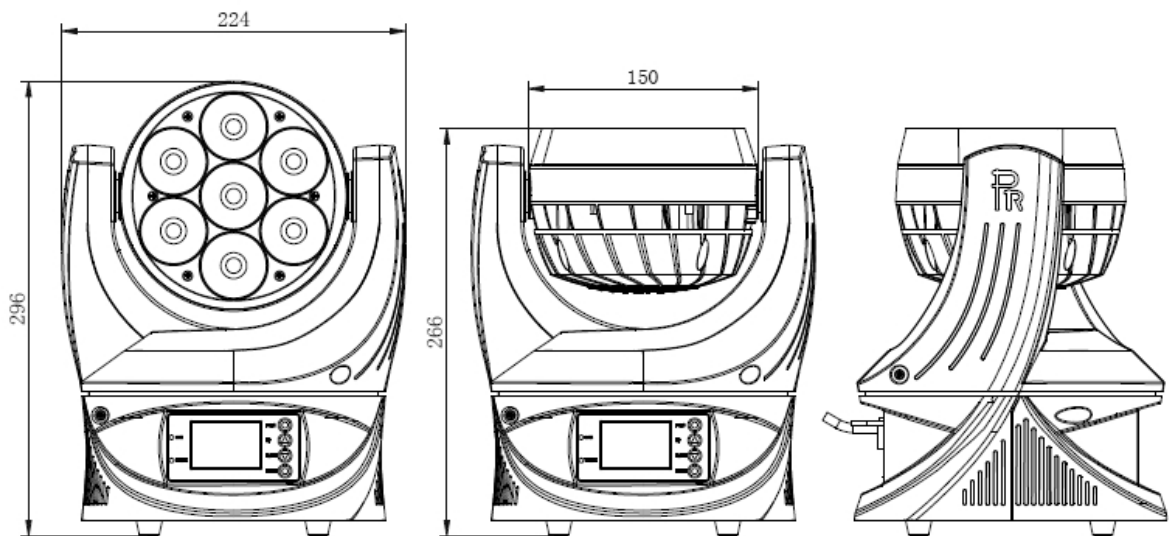
Wireless control (optional)

Pan & Tilt speeds adjustable

Over temperature protection

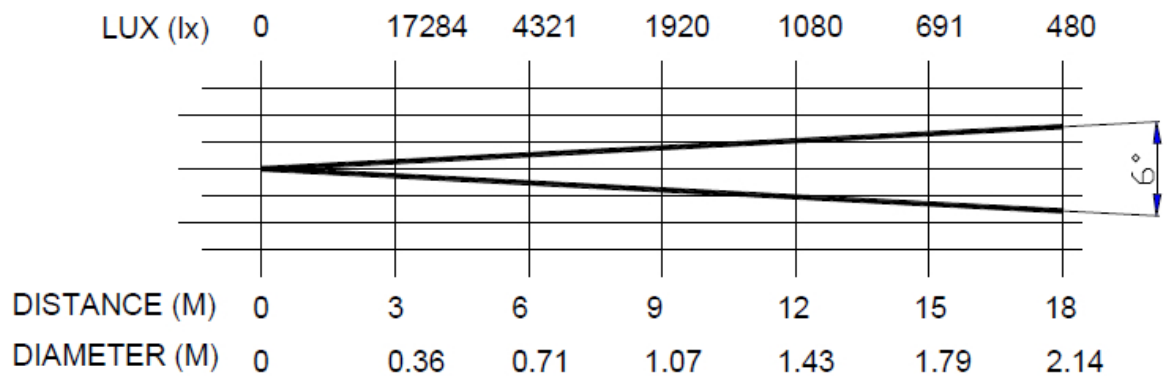
Fixture time and DMX512 values display

Sizes: (D: 204mm W: 224mm H: 296mm)



Light Output:

LIGHT OUTPUT:



1582 Xingye Avenue, Nancun, Panyu, Guangzhou, 511442, China
 +86-20-3995 2379 Fax.: +86-20-3995 2330 www.pr-lighting.com