



## **XLED 1061**

PR-8121

The XLED 1061 contains 24 extra LED's than the popular XLED 1037 to meet the applications required by the end users. It delivers animation effects, rainbow effects and pulsing strobe.

### **Features:**

- 61 x 10W LED's (RGBW 4 in 1)
- 650W power consumption
- RGBW linear color mixing with Macro, with rainbow and animation effects
- Linear color temperature correction from 2700K to 10000K
- 13°~52° linearly adjustable zoom
- DMX control, linearly adjustable focus
- DMX linear zooming
- Linearly adjustable dimmer from 0-100%
- Electronic Strobe 0.3~25 F.P.S, with pulsing strobe effects
- 17 channels in standard mode, and 30 channels in extended mode
- RDM control protocol

### **Standard Accessories:**

G clamps, 2 pcs; XLR connectors, 1 pc

Safety cord, 2 pcs; Wireless Receiver's Antenna: 1pc

**Optional Accessories:** Ω clamps, 2 pcs,

### **Technical Data:**

**Power Supply:** 100V-240V AC, 50/60Hz

**Power Consumption:** 650W@220V

### **Light Source:**

61 x 10W LED's (RGBW 4 in 1), 50,000 hours

### **Colours:**

RGBW linear color mixing with Macro

Rainbow and animation effects

1582 Xingye Avenue, Nancun, Panyu, Guangzhou, 511442, China  
+86-20-3995 2379 Fax.: +86-20-3995 2330 [www.pr-lighting.com](http://www.pr-lighting.com)

**Colour Temperature Correction:**

Linearly colour temperature correction from 2700K to 10000K

**Beam Angle:**

13°~52°, Linear zoom in 16 bit precision

**Zooming:**

DMX linear zooming

**Dimmer:**

0-100% linearly adjustable

**Strobe:**

Electronic Strobe 0~25F.P.S

Pulse strobe effects

**Head Movement:**

Pan 540°, Tilt 270° with auto position correction

**Control:**

DMX512, 3 pin and 5 pin interfaces

RDM control protocol

**Channels:**

17 channels in standard mode, and 30 channels in extended mode.

Master/Slave Mode

Static Scene Mode

Stand-alone Mode

Self Test Mode

**Other Functions:**

Adjustable Pan & Tilt speed

Fixture Brightness and Contrast adjustable

Lamp usage Time display

Menu Invert Function

**Housing:**

High temperature ABS +die-casting aluminum, IP20

**Ambient Temperature:**

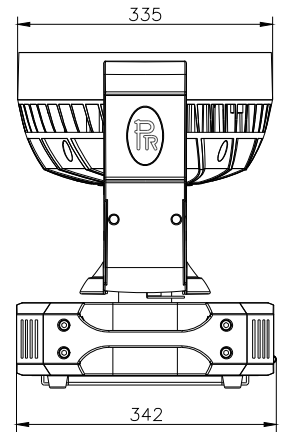
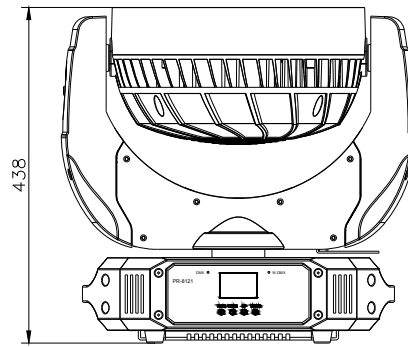
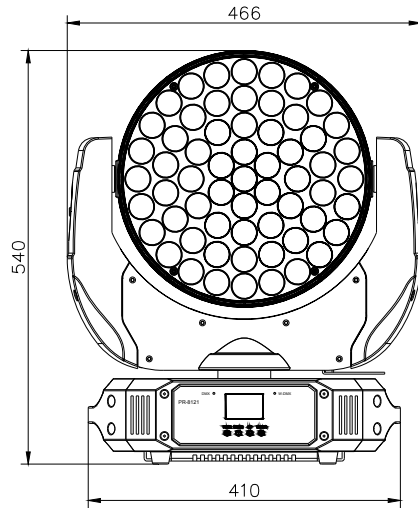
-20°C~40°C

1582 Xingye Avenue, Nancun, Panyu, Guangzhou, 511442, China  
+86-20-3995 2379 Fax.: +86-20-3995 2330 [www.pr-lighting.com](http://www.pr-lighting.com)

**Net Weight: 20Kg**

**Gross Weight: 24.5Kg**

**Sizes:**



**Light Output:**

1582 Xingye Avenue, Nancun, Panyu, Guangzhou, 511442, China  
+86-20-3995 2379 Fax.: +86-20-3995 2330 [www.pr-lighting.com](http://www.pr-lighting.com)