

XLED 1037 DATA SHEET



The super-bright XLED 1037 is a new LED moving head product. Characterised by the use of 37 x 10 Watt RGBW LEDs (containing four colours in one), another outstanding feature is its wide linear zoom, with beam angle ranging from 13° to 52°. Additional features include a linear CTO from 3200K to 10000K, linear colour mixing with macro function, 0-100% linearly adjustable dimmer and an electronic strobe (0 to 25fps). In terms of movement, the XLED 1037 offers speed adjustable pan and tilt (with pan angle of 0°-540° and tilt of 0°-270°) with auto position correction function. It also enables auto speed adjustment of the fans, brightness and contrast adjustment and boasts an advanced cooling system, with LED lamp overheating and DMX 512 control display statuses. There are various control options, since the XLED 1037 is Wireless DMX compatible. Shipping with immediate effect, the XLED 1037 carries a net weight of 12.85kg.

TECHNICAL DATA

Voltages: 100V~240V AC 50/60Hz

Power Consumption: 450W@220V

Light Source:

- 10W (37x10W RGBW LED (four in one))
- Manufacturers Rated LED Life 50000 Hours

Colors: RGBW linear color mixing with Macro

Dimmer: 0-100% linearly adjustable

Strobe: Electronic Strobe 0 ~25FPS

Pan and Tilt: PAN(0°~540°) and TILT(0°~270) with Auto Position Correction Function

Light Angle:

- Field angle (one-tenth-peak) θ 27°~70°;
- Beam angle (half-peak) θ 1/2 13°~52°.

Control

- DMX512, 3 pins and 5 pins interfaces
- 15 channels in standard mode, and 24 channels in extended mode
- Master/Slave Synchronous Control Mode
- Static Scene Mode
- Single Mode
- Self Test Mode

Other Functions

- Pan & Tilt Speed adjustable
- Auto speed adjustment of Fans
- LED Lamp Overheating Protection
- Display's Brightness and Contrast adjustable
- Lamp/Projector use Time display
- DMX512 Channel Value Display
- Menu Invert

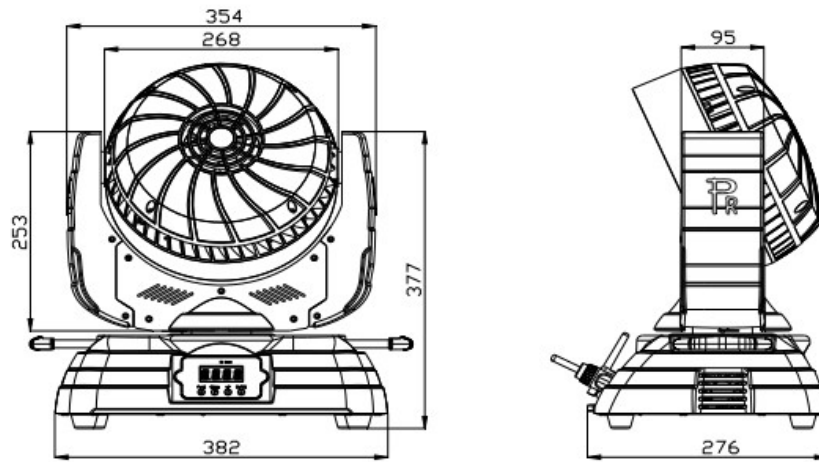
Housing: High temperature ABS + die-casting aluminum, IP20

Work Environment Temperature: -20°C~40°C

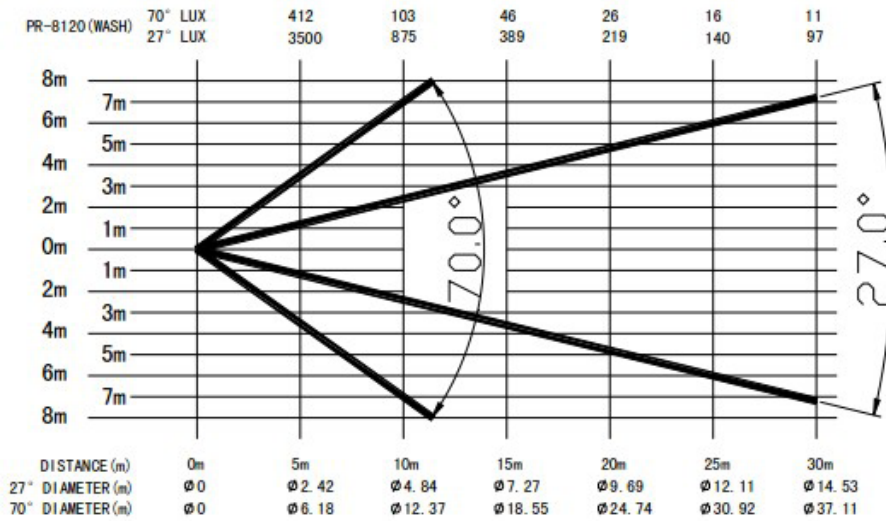
Weight

- Net weight: 12.85 Kg
- Gross weight: 16.9 Kg

SIZE:



LIGHT OUTPUT:



Mega Systems Inc., US Distributor of PR Lighting
 www.megasystemsinc.com • info@megasystemsinc.com
 Toll Free: 866-460-MEGA • Local: 210-684-2600
 5718 Kenwick St., San Antonio, TX 78238

