



## **PR-5000 Wash**

A new addition to the PR-5000 family, PR-5000 Wash, is one of the brightest washlight in the PR range. With its improved cooling system, reliability, high light output, very fast strobe, wireless receiver and firmware updatable via PC, PR-5000 Wash has an angle 11° in highlight mode and zoom range from 13° to 40°. Besides, it is flexible with an optional convex lens which has a 10° in highlight mode and beam angle 12°~35° linearly adjustable.

### **Main Features:**

- 13°~40° linear adjustable zoom and 11° in highlight mode
- Double shutter blades, 0.3~25 F.P.S
- Equipped with DMX512 wireless receiver

### **Other Features:**

- 1500W discharge lamp
- CYM colour mixing +14 dichroic colour filters + linear CTO
- The Optional Convex Lens Beam Angle: 12°~35° and 10° in highlight mode
- DMX controlled focus
- 0~100% linearly adjustable dimmer
- Optional DMX512 wireless signal transmitter
- Input signal isolating protection
- Energy saving function of the ballast
- Built-in analyzer for easy fault finding, error messages
- Setup options by rechargeable battery inside without power connection
- The LCD display with the menu in two languages
- Modular construction for easy maintenance

### **Standard Accessories:**

- G clamps, 2 pcs; 5-pin XLR connectors, 1 set
- Safety cord, 1 pc;

### **Optional Accessories:** Ω clamps, 2 pcs

1582 Xingye Avenue, Nancun, Panyu, Guangzhou, 511442, China  
+86-20-3995 2379 Fax.: +86-20-3995 2330 [www.pr-lighting.com](http://www.pr-lighting.com)

## **Technical Data:**

**Power Supply:** 200V/220V/230V/240V AC, 50/60Hz

**Power Consumption:** 1800W@220V

### **Light Source:**

OSRAM HTI 1500W/60/P50 Fast-Fit  
(6,000K, 135,000 lm, 750hrs, PGJX50 Socket, single-ended)  
Or PHILIPS MSR Gold 1500 Fast-Fit  
(6,000K, 120,000 lm, 750hrs, PGJX50 Socket, single-ended)

### **Optics System:**

**Beam Angle:** 13° ~ 40° and 11° in highlight mode Optional Convex Lens

**Beam Angle:** 12° ~ 35° linearly adjustable and 10° in highlight mode

### **Colour System:**

Smooth CYM Colour Mixing System + Macro + Linear CTO  
2 colour wheels, each with 7 dichroic colour filters + white

### **Effect:**

**Focus:** DMX controlled focus

**Dimmer:** 0-100% linearly adjustable

**Shutter:** double shutter blades, 0.3~25 F.P.S

### **Control and Programming:**

**Control:** DMX512, 3-pin and 5-pin interfaces, self-test mode, RDM

**Channels:** Short Mode : 13, Standard Mode : 17, Extended Mode : 22

### **Head Movement:**

Pan 540°, Tilt 270°

Auto Pan/Tilt position correction, speed adjustable

### **Physical Features:**

**Housing:** Composite plastic (IP20)

**Weight:** 46kg

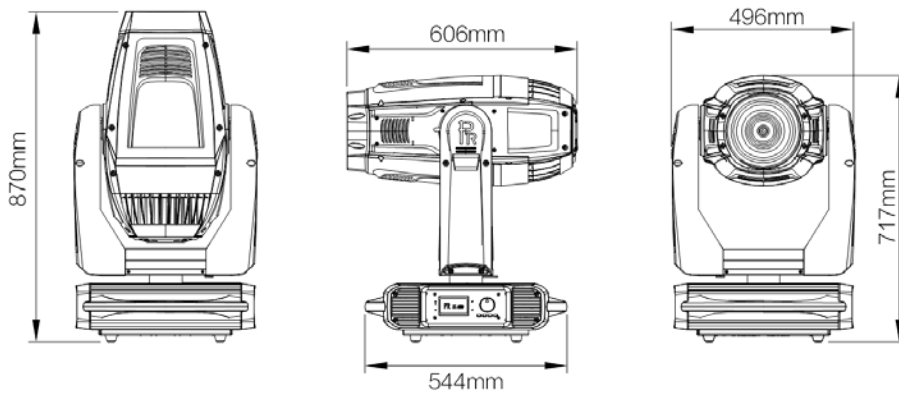
### **Packed Dimensions:**

**Standard/Optional:** 851x654x753(mm) / 685x620x790(mm)

**Packed Quantity:** 1PC/Carton or 1PC/Flight Case

1582 Xingye Avenue, Nancun, Panyu, Guangzhou, 511442, China  
+86-20-3995 2379 Fax.: +86-20-3995 2330 [www.pr-lighting.com](http://www.pr-lighting.com)

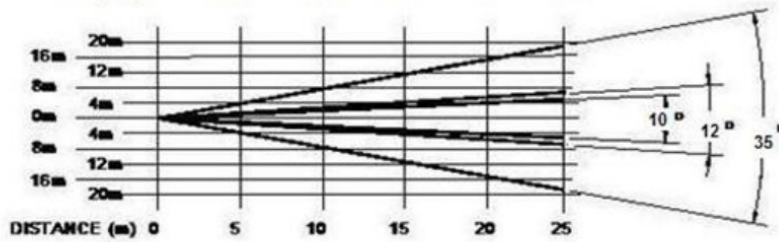
**Sizes:** please see the drawings below



**LIGHT OUTPUT**

**OPTIONAL CONVEX LENS LIGHT OUTPUT**

35° (lux)	8893	2223	988	556	356
12° (lux)	48660	12165	5407	3041	1946
10° (lux)	120048	30012	13339	7503	4802



10° DIAMETER(m)	∅0	∅0.86	∅1.72	∅2.58	∅3.44	∅4.30
12° DIAMETER(m)	∅0	∅1.05	∅2.10	∅3.15	∅4.21	∅5.26
35° DIAMETER(m)	∅0	∅3.12	∅6.24	∅9.36	∅12.48	∅15.60

1582 Xingye Avenue, Nancun, Panyu, Guangzhou, 511442, China  
 +86-20-3995 2379 Fax.: +86-20-3995 2330 [www.pr-lighting.com](http://www.pr-lighting.com)