

# PR 5000 SPOT DATA SHEET



The PR 5000 Spot is one of the most advanced moving head in the PR range. The wide beam angle, combined with the integrated wireless system, a very fast strobe and the capability to update the firmware through a PC make the PR 5000 a great unit to work with.

## MAIN FEATURES

- 10° ~ 67° linearly adjustable zoom
- DMX512 wireless signal receiver
- Double strobe/shutter blades, 0.3~25FPS
- Firmware and software updating through computer

## OTHER FEATURES

- 1500W discharge lamp
- CYM colour mixing + 7 dichroic colour filters + linear CTO
- 12 indexable rotating gobos (at high speed) + 7 fixed gobos (all easily interchangeable)
- DMX controlled, linearly adjustable focus (8- or 16-bit)
- Linearly adjustable dimmer, iris
- 1x3 facet prism (bi-directionally, rotatable, indexable)
- 1 linearly adjustable frost wheel + 1 changeable gobo effect wheel
- Optional DMX512 wireless signal transmitter
- Input signal isolating protection
- Energy saving function of the ballast
- Built-in analyzer for easy fault finding, error messages
- Setup options by rechargeable battery inside without power connection.
- Modular construction for easy maintenance

## Standard Accessories:

- G clamps, 2 pcs; 5-pin XLR connectors, 1 set
- Safety cord, 1 pc; Spare gobos, 4 pcs

## Optional Accessories: Ω clamps, 2 pcs

## TECHNICAL DATA

**Power Supply:** 200/220/230/240V AC, 50 /60 Hz

**Power Consumption:** 1800W@220V

### Light Source:

- OSRAM HTI 1500W/60/P50 Lok-it
- 6,000K, 135,000 lm, 750hrs, PGJX50 Socket, single ended
- Or PHILIPS MSR Gold 1500 FastFit
- (6,000K, 120,000 lm, 750hrs, PGJX50 Socket, single ended)

### OPTICS SYSTEM:

**Reflector:** cold mirror coated and for multi-facet and infrared saturation

**Lens:** high quality multi-coated lenses

### Colour System:

- Smooth CYM colour mixing system + macro + linear CTO
- 1 wheel with 7 dichroic colour filters plus white

### EFFECT:

#### Gobos:

**2 rotating gobo wheel:** 6 interchangeable gobos+ white, glass or metal gobos can be installed

Bi-directionally rotatable gobos at variable speeds, indexable; bi-directional wheel scrolling at variable speeds

**1 fixed gobo wheel:** 7 interchangeable gobos+ white, bi-directional wheel scrolling at variable speeds

#### Prism/Frost:

1x3 facet prism, indexable, bi-directionally rotatable at variable speeds

**Frost Wheel:** Frost 0-100% linearly adjustable

**Dimmer:** 0-100% linearly adjustable

**Iris:** 5~100% linearly adjustable + macros

**Strobe/Shutter:** double strobe/shutter blades, 0.3~25 FPS

## TECHNICAL DATA

### Control and Programming:

**Control:** DMX512, 3-pin, 5-pin interface, RDM, Self-test mode

**Channels:** Short Mode: 25, Standard Mode: 31, Extended

Mode: 38

### Head Movement:

- Pan 540°, Tilt 270° with auto position correction

### Physical Features:

**Housing:** Composite plastic (IP20)

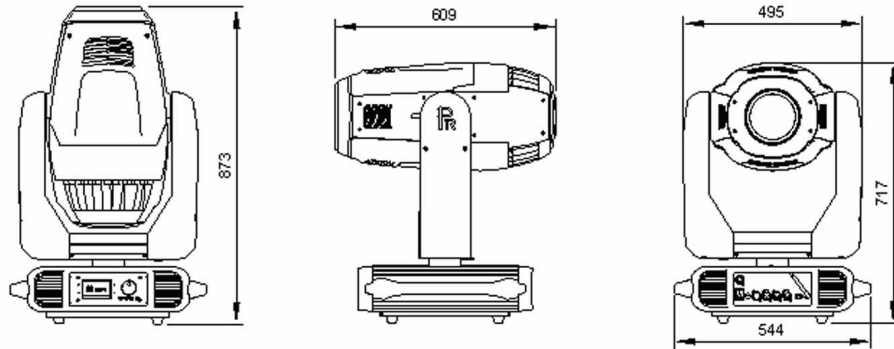
**Weight:** 48Kg

### Package Dimensions:

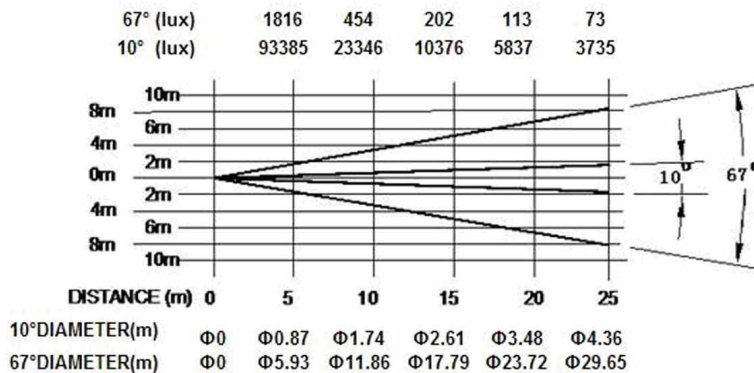
**Dimensions:** 685mmX620mmX790mm

**Packed Quantity:** IPC

## SIZE:



## LIGHT OUTPUT:



**Mega Systems Inc., US Distributor of PR Lighting**

www.megasystemsinc.com • info@megasystemsinc.com

Toll Free: 866-460-MEGA • Local: 210-684-2600

5718 Kenwick St., San Antonio, TX 78238

