

PR 5000 BEAM DATA SHEET



With a high and efficient optic system the PR 5000 beam delivers a solid a powerful beam. This unit features high light output, very fast strobe, wireless receiver, and firmware updatable through a computer plus much more.

MAIN FEATURUES

- 6°beam angle
- Double strobe/shutter blades, 0.3~25 F.P.S
- DMX512 wireless signal receiver
- Firmware and software updating through computer

OTHER FEATURES

- 1500W discharge lamp
- CYM colour mixing +7 dichroic colour filters + linear CTO
- 6 indexable rotating gobos(at high speed) +7 fixed gobos (all easily interchangeable)
- DMX controlled focus
- Linearly adjustable dimmer, iris
- 1x3 facet prism, 1x4-facet prism (bi-directionally, rotatable, indexable); linear frost
- Optional DMX512 wireless signal transmitter
- Input signal isolating protection
- Energy saving function of the ballast
- Built-in analyzer for easy fault finding, error messages
- Setup options by rechargeable battery inside without power connection.
- Modular construction for easy maintenance

Standard Accessories:

- G clamps, 2 pcs; 5-pin XLR connectors, 1 set; Signal receiver, 1 pc
- Safety cord, 1 pc; Spare gobos, 4 pcs

Optional Accessories: Ω clamps, 2 pcs

TECHNICAL DATA

Power Supply: 200/220/230/240V AC, 50 /60 Hz

Power Consumption: 1800W@220V

Light Source:

- OSRAM HTI 1500W/60/P50 Lok-it
- 6,000K, 135,000 lm, 750hrs, PGJX50 Socket, single ended
- Or PHILIPS MSR Gold 1500 FastFit
- (6,000K, 120,000 lm, 750hrs, PGJX50 Socket, single ended)

OPTICS SYSTEM:

Reflector: cold mirror coated and for multi-facet and infrared saturation

Lens: high quality multi-coated lenses

Colour System:

- Smooth CYM colour mixing system + macro + linear CTO
- 1 wheel with 7 dichroic colour filters plus white

EFFECT:

Gobos:

1 rotating gobo wheel: 6 interchangeable gobos+ white, glass or metal gobos can be installed
Bi-directionally rotatable gobos at variable speeds, indexable; bi-directional wheel scrolling at variable speeds

1 fixed gobo wheel: 7 interchangeable gobos+ white, bi-directional wheel scrolling at variable speeds

Prism/Frost:

1x3 facet prism, 1x 4-facet prism□bi-directionally rotatable at variable speeds, indexable; linear frost

Focus: DMX controlled focus

Dimmer: 0-100% linearly adjustable

Iris: 5~100% linearly adjustable + macros

Strobe/Shutter: double strobe/shutter blades, 0.3~25 F.P.S

TECHNICAL DATA

Control and Programming:

Control: DMX512, 3-pin, 5-pin interface, RDM, Self-test mode

Channels: Short Mode: 19, Standard Mode: 24, Extended

Mode: 30

Head Movement:

- Pan 540°, Tilt 270° with auto position correction

Physical Features:

Housing: Composite plastic (IP20)

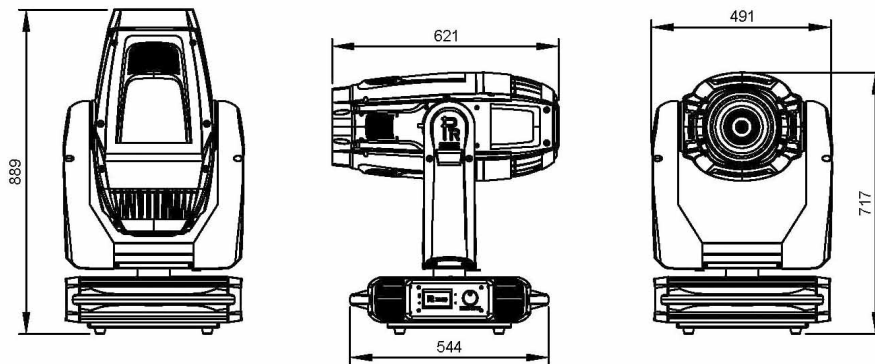
Weight: 46Kg

Package Dimensions:

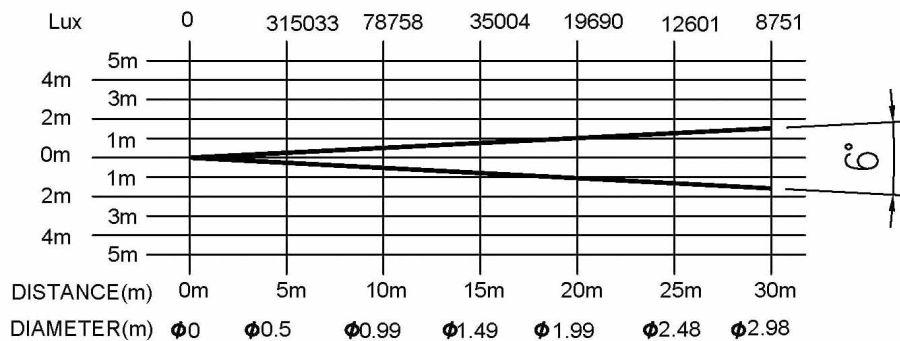
Dimensions: 685mmX620mmX790mm

Packed Quantity: 1PC

SIZE:



LIGHT OUTPUT:



Mega Systems Inc., US Distributor of PR Lighting

www.megasystemsinc.com • info@megasystemsinc.com

Toll Free: 866-460-MEGA • Local: 210-684-2600

5718 Kenwick St., San Antonio, TX 78238

