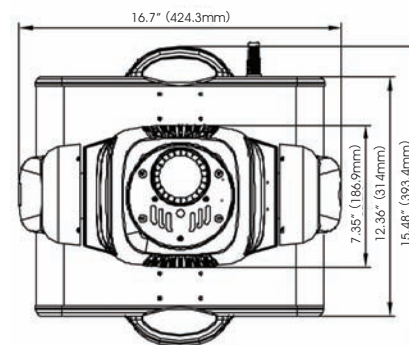
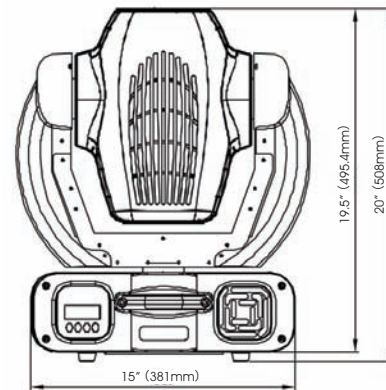
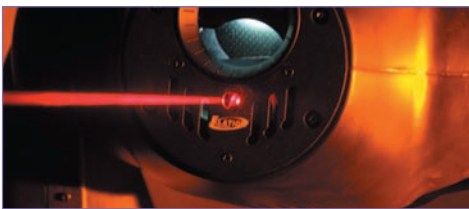


# Power Spot 250



Power Spot 250 Dimensions

## 4.9mW Red laser with pulse effect



The Power Spot 250 by Elation Professional is a 250W moving head spot featuring the EMH attribute system, 11 dichroic filters plus open, 6 interchangeable, rotating and indexable gobos plus spot and 4.9mW red laser. Additional features include a 3 facet prism, remote focus, mechanical shutter and dimmer. This unit is fan cooled and powered by Philips MSD 250/2 discharge lamp providing up to 3,000 hours estimated lamp life. Rated at IP20 this unit designed for indoor applications and includes a/c power 120v input cable (a 240v version is also available). Control data input is via 3 pin DMX data first in and out connections Rigging for this unit includes 2 x wing mounting plates and 1 x safety cable hole. The plate accepts four M6x20 screws.

## FEATURES

- 250W moving head spot
- 11 dichroic filters plus open
- 6 interchangeable, indexable, rotating gobos plus open
- Pre-set variable/random strobe & dimming pulse effect
- 3-facet-prism rotating in both directions at variable speeds
- Macro-function for rotating gobos/rotating prism combinations
- High luminous-efficiency axial reflector and double condenser lens system
- 4.9mW Red Laser
- Standard lens beam angle 15°
- Optional 12° and 18° lens
- All lenses are anti-reflection coated
- Motor driven focus from near to far
- Automatic Pan / Tilt position correction
- Maximum PAN-movement 530° in 2.65s / 16 Bit
- Maximum TILT-movement 280° in 1.68s / 16 Bit
- 4 Digit L.E.D. Display

## TECHNICAL SPECIFICATIONS

- **DMX Channels:** 15 DMX Channels
- **Control:** USITT DMX-512 (16-bit resolution), 3 pin XLR serial input/output
- **Dimmer:** Smooth dimmer flags from 0 - 100 %
- **Strobe:** Variable speed strobe effect (1-10) flashes per second
- **IP Rating:** IP 20
- **Power supply:** AC 120V/220v (50/60Hz)
- **Power consumption:** 500VA
- **Fuse:** 6.3A Magnetic Ballast
- **Lamp:** Philips MSD 250/2
- **Lamp life:** 250W, 8500°K, 3000 HRS
- **Dimensions:** (LxWxH) 15"x 15"x 20" / 381mm x 381mm x 508mm
- **Weight:** 50 lbs. / 22.6 kg
- **Rigging:** 2 x Wing Mounting plates  
1 x Safety cable hole



# Power Spot 250



## COLORS / GOBOS

- 11 dichroic filters plus open
- Continuous, variable speed, color scrolling in both directions (rainbow effect)
- More color combinations possible by overlaying the multi-color dichroic gobo and the colors on the color wheel
- 6 interchangeable, indexable, rotating gobos plus open
- Continuous, variable speed, gobo scrolling in both directions
- 4 additional metal gobos & 2 glass gobos, included (27 mm outside diameter, 23 mm image diameter)

### COLORS:

11 dichroic filters plus open



### GOBOS

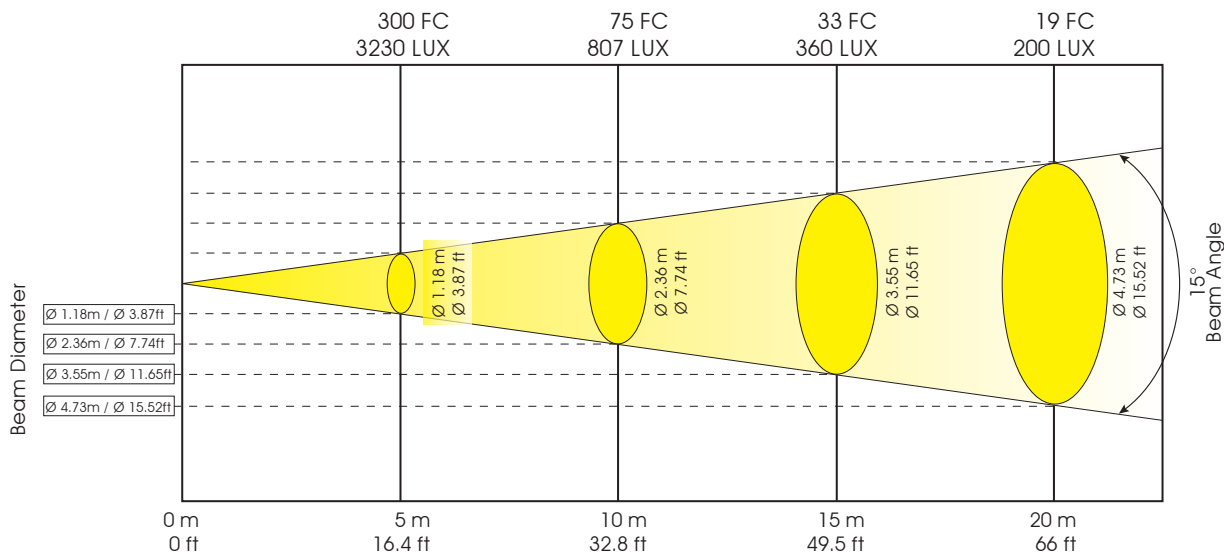
6 interchangeable, indexable, rotating gobos plus open



## PHOTOMETRICS

### Power Spot 250 Photometric Beam Angle Data Standard Beam Angle 15°

LUX x 0.0929 = FC



# Power Spot 250



## DMX TRAITS

- Channel 1 - Pan coarse
- Channel 2 - Pan fine
- Channel 3 - Tilt coarse
- Channel 4 - Tilt fine
- Channel 5 - Color
- Channel 6 - Gobo
- Channel 7 - Gobo position/rotation
- Channel 8 - Prism
- Channel 9 - Shutter
- Channel 10 - Dimmer
- Channel 11 - Focus
- Channel 12 - Special
- Channel 13 - Movement
- Channel 14 - Figure eight
- Channel 15 - Laser

Product Order Code	Description
Power Spot 250	250W moving head spot
Accessories Order Code	Description
DRC-250FS	Road case for Power Spot 250