



PLATINUM WASH ZFX PRO XL™

SKU# EPW868

The Platinum Wash ZFX PRO XL™ features (37) 15W OSRAM HO RGBW LEDs producing comparable output of a 1200W wash fixture, motorized zoom (15° - 28°), variable color temperature (2700K - 8000K), multiple zone and individual pixel control, built-in EWDMX receiver, electronic strobe (1-13 fps) and dimming (0-100%), flicker free operation for TV and FILM, 3 and 5pin in/out DMX and powerCON in connections, (6) button touch control panel, 700W max power consumption, and a multi-voltage universal auto switching power supply (120-240v).

FEATURES

- Comparable Output of 1200W Wash Fixture**
- (37) 15W Osram™ HO QUAD Color RGBW LEDs**
- Motorized Zoom (15° - 28°)**
- Variable Color Temperature (2700K - 8000K)**
- Multiple Zone and Individual Pixel Control**
- Internal EWDMX Wireless DMX Receiver**
- Electronic Strobe (1-13 fps) and Dimming (0-100%)**
- Flicker Free Operation for TV and FILM**



ELATION | PLATINUM WASH ZFX PRO XL™ | Product Specification Sheet

Specifications are subject to change without notice ©Elation Professional

Elation Professional USA | 6122 S. Eastern Ave. | Los Angeles, CA. 90040
323-582-3322 | 323-832-9142 fax | www.elationlighting.com | info@elationlighting.com

Elation Professional B.V. | Junostraat 2 | 6468 EW Kerkrade, Netherlands
+31 45 546 85 66 | +31 45 546 85 96 fax | www.elationlighting.eu | info@elationlighting.eu

PRODUCT SPECIFICATIONS

FEATURES

Comparable Output of 1200W Wash Fixture
 Quad Color RGBW Mixing
 Motorized 15° - 43° Zoom
 Variable Color Temperature (2700K - 8000K)
 Multiple Zone and Individual Pixel Control
 EWDMMX Internal Wireless DMX Receiver
 Flicker Free Operation for TV and FILM

SOURCE

(37) 15W OSRAM HO RGBW LEDs
 100,000 Hour Average Life

PHOTOMETRIC DATA

8,160 LUX 758 FC @4M 15° Beam Full ON
 3,157 LUX 293 FC @4M 15° Beam WHITE LEDs Full ON
 5,260 LUX 489 FC @4M 28° Beam Full ON
 1,620 LUX 150 FC @4M 28° Beam WHITE LEDs Full ON

EFFECTS

Variable Strobe Settings (1-13 fps)
 Electronic Dimming (0% - 100%)
 Chase Zone and Individual Pixel Macros

COLOR

Quad Color RGBW

CONTROL / CONNECTIONS

(3) DMX Channel Modes (19 / 30 / 160)
 Pan Movement: 630° / Tilt Movement: 265°
 6 Button Control Panel
 Full Color 180° Reversible LCD Menu Display
 8 / 16 Bit Resolution Adjustable Movement
 3pin & 5pin DMX In/Out
 powerCON In

SIZE / WEIGHT

Length: 19.4" (493mm)
 Width: 13.2" (335mm)
 Vertical Height: 23.4" (594mm)
 Weight: 54.0 lbs. (24.5kg)

ELECTRICAL / THERMAL

AC 100-240V - 50/60Hz
 660W Max Power Consumption
 113°F (45°C) Max Ambient Temp

APPROVALS / RATINGS

CE Approved
 cETLus Approved
 IP20 Rated

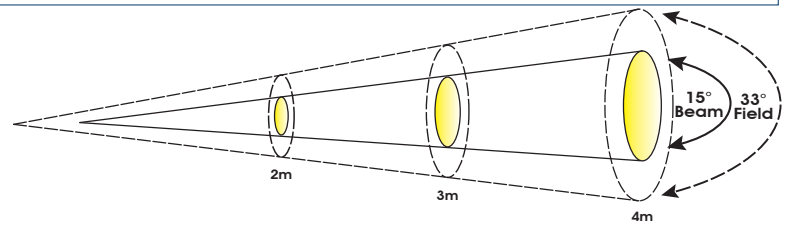
INSTALLATION

Rigging: Omega Brackets
 Working Position: Flat Surface / Inverted (180°)

INCLUDED ITEMS

(2) Omega Brackets
 (1) 3pin XLR Cable
 (1) Safety Cable

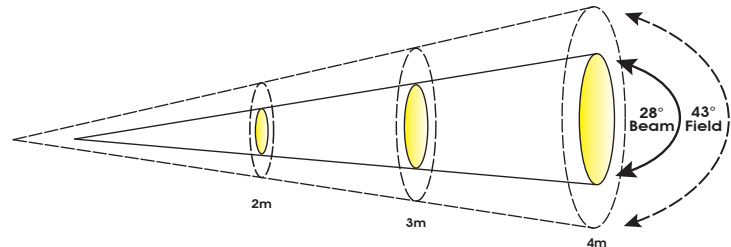
PHOTOMETRIC DATA



MIN ZOOM

Distance	m	ft	m	ft	m	ft
	2	6.6	3	9.8	4	13.1
15° Beam Diameter	0.54	1.8	0.81	2.7	1.08	3.5
33° Field Diameter	1.2	3.9	1.8	5.9	2.4	7.9

Photometrics	lux	fc	lux	fc	lux	fc
RED LEDs	4,144	385	1,540	143	1,320	123
GREEN LEDs	9,681	899	4,135	384	2,344	218
BLUE LEDs	4,770	443	2,010	187	650	60
WHITE LEDs	13,170	1,223	4,481	416	3,157	293
FULL ON	22,020	2,046	11,030	1,025	8,160	758

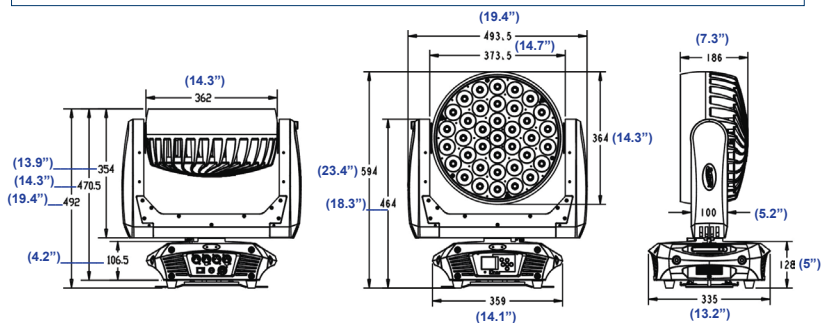


MAX ZOOM

Distance	m	ft	m	ft	m	ft
	2	6.6	3	9.8	4	13.1
28° Beam Diameter	1	3.3	1.5	4.9	2	6.6
43° Field Diameter	1.6	5.2	2.4	7.9	3.2	10.5

Photometrics	lux	fc	lux	fc	lux	fc
RED LEDs	1,781	165	680	63	410	38
GREEN LEDs	3,856	358	1,645	153	1,352	126
BLUE LEDs	4,360	405	790	73	190	18
WHITE LEDs	4,835	449	2,100	195	1,620	150
FULL ON	11,900	1,106	7,580	704	5,260	489

DIMENSIONAL DIAGRAM



OPTIONAL ACCESSORIES

ORDER CODE	ITEM
TRIGGER CLAMP	Heavy Duty Wrap Around Hook Style Clamp
DRC ZFX XL	Dual Road Case For Platinum Wash ZFX PRO XL™
ELO211	Eloader II™ Software Updater Box
EWDMMXSYSTEM	Wireless DMX System (1 Transmitter, 1 Receiver)
EWDMMXT	Wireless DMX Transmitter
EWDMMXR	Wireless DMX Receiver
AC3PDMX5PRO	5 ft. (1.5m) 3pin PRO DMX Cable
AC5PDMX5PRO	5 ft. (1.5m) 5pin PRO DMX Cable
	Additional cable lengths available

