

# — NEW PRODUCTS —

# 2015

SCENIUS  
SPHERISCAN  
MYTHOS  
IGLOO WL / EASY / ECO  
SHOW-BATTEN 100  
A.LEDA B-EYE K20 CC  
SHARPY WASH 330 PC

*PRELIMINARY*



AN OSRAM BUSINESS

# SCENIUS

## TOTAL CONTROL OVER THE SCENE

code C61500

SCENIUS is the new moving head spotlight at the top of the Clay Paky range. Its advanced optical unit and the new 1400W OSRAM discharge lamp provide a much higher light output than with previous generation 1500W lamps. Thanks to its wide 8° - 55° zoom, Sce-

nius is perfect for every use: from large open air shows to TV studios or exhibitions. The zoom movements are so smooth and accurate they can be used as effects in their own right. A modern focus tracking system concentrates maximum luminous efficiency precisely

on the effect you wish to project, and the focus may be set to be fully automatic.

With Scenius you have a light in your hands whose great variety of effects and white light and color reproduction fidelity will completely amaze you. First



### SPECIFICATIONS

- 1400W OSRAM discharge lamp
- 8°-55° zoom
- Focus tracking system
- Dyna-Cue effects
- 6000 K color temperature
- CRI≈95
- CMY System + Linear CTO
- 7-color wheel
- 2 Wheels with 6+6 rotating Gobos
- Rotating Prism
- Interchangeable Graphics Wheel
- 16 blades fast Iris
- Variable frost
- Very precise 0-100% dimmer
- Fast stop/strobe effect
- Light can be run at 1400W or 1200W
- Quite, reliable and hard wearing

**WEIGHT:** 39 Kg (85.9 lbs)

#### **DIMENSIONS**

**mm (LxWxH):** 410 x 442 x 760

**inches (LxWxH):** 16.14 x 17.4 x 29.92



of all, the lamp produces a 6000 K color temperature that does not vary over time. This on the one hand ensures greater color temperature uniformity on the stage and more rapid set lighting calibration. On the other hand it means savings in terms of maintenance and lamp replacement costs.

The white and colored light produced are of the highest quality. Scenius can count on a CRI $\approx$ 95, which is extremely unusual for a metal halide light source. The colors may be added very smoothly and linearly, and cover a broad spectrum, even including pastel shades, thanks to a CMY system, a 7-color wheel and a linear CTO filter.



The special effects are of course top-ranking: two rotating gobo wheels, each with 6 interchangeable gobos, a rotating prism and an interchangeable graphics wheel. This special wheel can be used in conjunction with the gobos or on its own – even with partial insertion and adjustable speed – to produce spectacular visual effects.

The highly precise and accurate iris allows you to channel the projected light linearly into circular shapes. The appliance can also be used in wash mode by inserting a new design of frost filter. The light can be run at 1400W or in energy saving mode at 1200W.

Besides being quiet, reliable and road-ready, SCENIUS is at the cutting-edge in optics, mechanics and electronics. Its amazing features may only be fully appreciated by seeing them at work live.



# SPHERISCAN

## THE SCANNER IS BACK!

The Spheriscan is a revolutionary scanner with a modern twist. After creating the last word in moving-mirror lights in the 1990s, Clay Paky has leveraged the huge technological developments of recent years to “reinvent” the scanner and make it future-ready.

### AN INGENUOUS MIRROR THAT TURNS VERY FAST WITHOUT STOPS

The first scanner feature we all care about is definitely the speed of the mirror, and it is here that the Spheriscan is truly extraordinary: its pan rotation does not have an end-stop! Its mirror goes on turning endlessly beyond 360 degrees in both directions, which creates an absolutely original swirling effect. Its speed may be adjusted as desired and reach a

maximum of 280 rpm, that is more than four revolutions per second. This speed is four times faster than the pan speed of an old scanner, and more than eight times as fast as the most lightweight moving heads. The movements are ultra-precise with sixteen-bit control and may be slowed down linearly to a minimum speed of two revolutions per hour.



Strong handles can be used as ground support when the light is placed vertically on stage

### AN EXTRAORDINARILY BRIGHT SCANNER

The Spheriscan is without a doubt much more powerful and brighter than any of the other scanners that came before it. Its spanking new OSRAM lamp works at 1200 Watt. Its basic color temperature is 6000 kelvins, which can be reduced gradually to 2700 K using a linear CTO system.

The luminous efficacy of the light is extremely high: 85 lm/W.

### A VERY WIDE 13° - 34° ZOOM RANGE

The Spheriscan has a high speed zoom, which starts from a minimum of thirteen degrees. Thanks to its large mirror, the maximum beam angle reaches 34 degrees, which is greater than is found with any other moving-mirror light.

The focus is electronic. The front lens is a large 80 mm in diameter (3.15”) and produces a full-bodied beam which is clearly visible even hundreds of yards away.

### THE FIRST MOVING-MIRROR LIGHT FOR OUTDOOR USE

This is another absolutely unique feature: the Spheriscan is also built to be used outdoors. A special housing and transparent tumbler-shaped cover which protects its mirror gives it an IP54 protection rating (vertically and horizontally  $\pm 45^\circ$ ).

### WEIGHT AND DIMENSIONS 35 Kg (77.16 lbs)

LxWxH (mm):

360 x 390 x 885 (with brackets: 570 x 570 x 885)

LxWxH (inches):

14.11 x 15.35 x 34.84 (with brackets 22.44 x 22.44 x 34.84)

## NEVER BEFORE HAS A SCANNER HAD SO MANY FUNCTIONS

The Spheriscan has all the effects of the most advanced moving-head spotlights: 2 rotating gobo wheels (indexable and interchangeable) with 6 gobos each, an interchangeable glass animation wheel, a rotating prism, a fast sixteen-blade iris, a linear frost filter, a shutter-strobe and a dimmer.

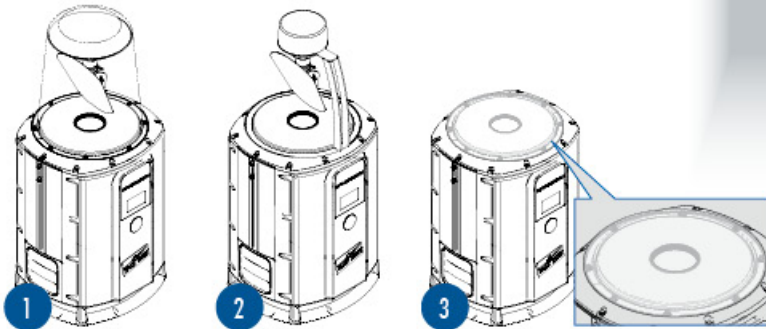
The colors may be inserted smoothly and linearly, and cover a broad spectrum including pastel shades, thanks to the CMY system, a color wheel and a linear CTO filter. The effects and movements are handled by a sixteen-bit controller.

## OTHER EXCLUSIVE WAYS TO USE THE SPHERISCAN

Using a special support system (optional), the Spheriscan may be recessed into the stage floor, with only its transparent head visible. It therefore becomes an innovative part of the set design and makes original grazing projections possible.

When not necessary, its transparent tumbler-shaped cover (1) can be easily removed and replaced with a special mirror-holder (2): by doing so, the Spheriscan slightly gains in brightness, and becomes IP20.

Lastly, you can also use the Spheriscan to project light directly, without the mirror (3). In this case, the light may be protected to IP54 by fitting a special cover over the front lens (optional).

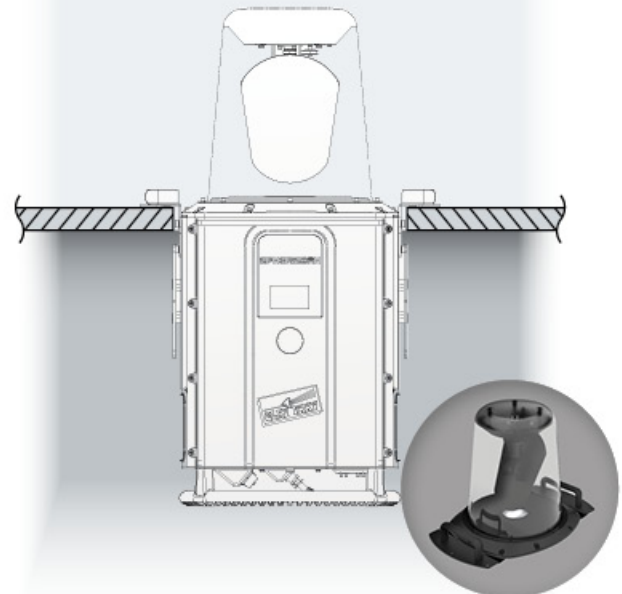


IP54 special cover when projecting light without mirror

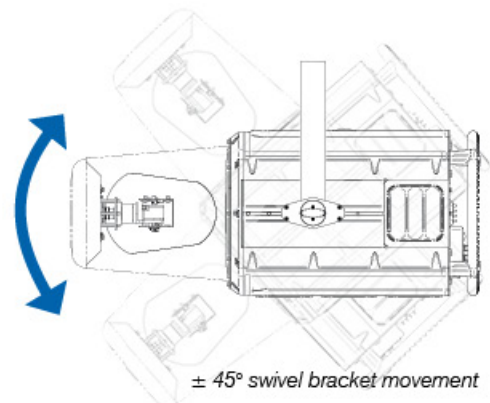
## PRACTICAL AND SIMPLE TO RIG

The Spheriscan's bottom is fitted as standard with strong handles, which make moving and installation easy. These handles themselves can be used as ground support when the light is placed vertically on the stage. Optional quick fit and release handles speed up operations even further.

The light may be fitted to trusses in any position, depending on requirements, using a  $\pm 45^\circ$  swivel bracket.



Special handles allow the fixture to be ground recessed for grazing projections



$\pm 45^\circ$  swivel bracket movement

The Spheriscan is therefore a tribute to the past with an endless variety of state-of-the-art technical features. It is a powerful effects light capable of adding a new distinctive touch to shows and an appliance you can use on many occasions, including big events, indoor and outdoor concerts and architectural installations.



# IGLOO

## A TRULY COMPLETE RANGE OF HIGH QUALITY OUTDOOR COVERS

code C61199 (IGLOO WL)  
code C61197 (IGLOO EASY)  
code C61196 (IGLOO ECO)

If you are looking for quality protection so that you can use your sophisticated expensive lights outdoors, whether they be Clay Paky or other brands, then the IGLOO is the ideal solution for you.

IGLOO is a range of sturdy outdoor covers specially designed for professional show lights. They consist of a strong steel base and a highly transparent capacious plastic dome.



The base is of course fitted out for all electrical and signal connections, all of which are protected against the weather. Since lights generate a lot of heat, the base also has "conditioning" and air circulation devices so that the temperature inside the dome is kept ideal, also taking the outside air temperature into consideration.

The dome is made of completely transparent polycarbonate with outstanding impact strength and high transparency. In addition, the dome is moulded in such a way that the plastic molecules are aligned. This means the light can pass through the cover without the projected image being distorted.

The possibility of housing a light depends on two factors: the size of the appliance and its working temperature. You can also house lights made by other manufacturers provided if they are compatible in terms of size and heat generation.

The IGLOO range comprises three models (IGLOO WL, IGLOO EASY and IGLOO ECO) which differ in their basic features and the way the control signals are connected.

July 2015

*Subject to change without notification*

### The features the three versions have in common are:

- The Igloo dome is injection moulded from UV-resistant transparent polycarbonate, and is carefully designed to ensure flawless projections without loss of light or image distortion.
- The Igloo has been designed to accommodate any model of moving light from Clay Paky's own Mythos, Supersharpy, Alpha 700, Alpha 300, Sharpy, Sharpy Wash, A.leda Wash and A.leda B-EYE series – as well as automated fixtures of similar size, weight and consumption from other brands.
- Power is supplied via two cables with cable glands: one for the dome internal devices, the other for the luminaire.
- The Igloo is equipped with four carrying handles and offers the option of a flight case for safe transport.
- Installation follows a quick, plug-and-play procedure requiring no tools or special skills. A mechanical multi-posi-

tional fixing system allows a variety of compatible luminaires to be fixed. Once sealed, internal electrical connection is done via the supplied Powercon socket, and an integrated XLR socket allows connection to the fixture's DMX interface.

- The base is extremely shallow allowing the beam to point in any direction without being blocked or masked – even at maximum downward tilt.
- The Igloo is entirely weatherproof, with each component offering IP54 protection. The locking system connecting the base to the dome is equipped with a watertight seal and fasteners; power and data cable glands are certified for outdoor use. A flexible mounting system allows the Igloo to be oriented in any position without compromising its high IP rating – either placed on the ground, hung upside-down or fixed to upright structures in a horizontal position.

### The features that differentiate the three models are:

The IGLOO WL comes with a built-in wireless transmitter/receiver, which is especially useful when the light is fitted some distance away. With the IGLOO EASY and IGLOO ECO, you may simply connect the lighting system DMX cable to the IN/OUT sockets found in the base.

In the case of the IGLOO WL and IGLOO EASY, the air inside the dome is conditioned by a self-adjusting heating and cooling system. It works fully automatically and is activated by built-in heat sensors. The inside temperature is always kept above zero and below 35°C.

# MYTHOS

IS ALREADY LEGEND



**SUPERHERO ID**

**NAME** MYTHOS

**BORN** 2014

**SPECIAL FEATURES** THE MOST ADVANCED FORM OF HYBRID LIGHT

**LAMP** 470W, 7800K discharge lamp - 150,000 lux at 20 m

**OPTICS** Large 160 mm Ø front lens

**SPOT** 4° - 50° electronic zoom (Spotlight mode)

**BEAM** 2.5° aperture and "pipe" effect (Beam mode)

**FOCUS** Perfectly sharp focusing along the entire beam length

**WASH** Frost filter for soft-edge projection (Wash mode)

**COLORS** CMY color mixing + 14 colors on 3 wheels

**GOBOS** 6 HQ dichroic rotating gobos and 18 fixed metal gobos

**EFFECTS** Advanced visual effect disc (animation disc)

**PRISMS** 2 indexable rotating prisms (8-facet and linear 4-facet)

**DESIGN** Patented Italian Design





# SHOW-BATTEN 100

## NEW CLAY PAKY LED MOVING BARS

code C71085 (Show-Batten 100)

code C71086 (Show-Batten 100 AS)

The Show Batten 100 is a LED moving bar designed for stage lighting professionals. Ten high-power Osram Ostar RGBW LEDs are housed inside a 100 cm long (39") cylindrical aluminium bar. Each parameter of each LED may be controlled individually: color, 16 bit dimmer and 24 Hz strobe.



The Show Batten lens is fitted with a wide electronic linear zoom. The "Show Batten AS" version has a special ovalizer filter instead of the standard lens, which increases the projection angle on a single axis. This is particularly suitable for wall washing. The zoom is very fast: 0.3 s from min. to max.

The colors are generated through R, G, B and W channels, and may also be chosen from a wide palette consisting of over 60 macros. The color temperature can be linearly adjusted from 2500 K to 8000 K thanks to control through a dedicated CTO channel.

The Show Batten has a 240° tilt and can rotate very smoothly and very fast (240° in as little as 0.2 s). The Show Batten is compact, rugged and lightweight: it weighs only 9 kg (19.8 lbs). Several bars may be arranged in a line or a matrix, with a constant fixed distance between the LEDs. An internal Ethernet switch for IN/OUT daisy-chain connection makes it easy to connect the bars up for pixel control in a matrix arrangement.

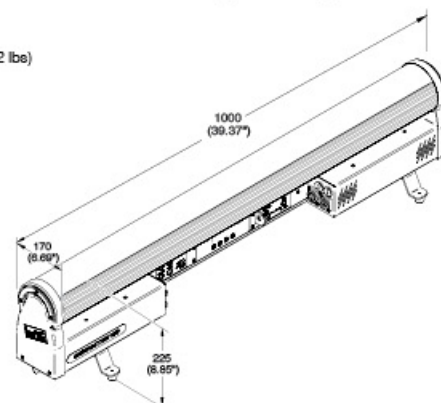
## SPECIFICATIONS

- Light source: 10 X 15W Osram Ostar RGBW LEDs
- Distance between LEDs: 100 mm (4")
- "STANDARD" VERSION:
  - Optical unit with motorized zoom:  
minimum 10° x 23°, maximum 43° x 48° (at 50%);  
minimum 23° x 35°, maximum 66° x 76° (at 10%)
  - High brightness: 3340 lumens
- "AS" VERSION:
  - Asymmetrical optical unit with special motorized zoom for illuminating backdrops:  
minimum 8° x 25°, maximum 9° x 45° (at 50%);  
minimum 18° x 37°, maximum 21° x 74° (at 10%)
  - High brightness: 5210 lumens
- Independent RGBW color control for each individual LED
- Effects: dimmer (16 bit), 24 Hz strobe, color macros and effect macros
- Control inputs: DMX cable and Art-Net on Ethernet
- High speed motorized tilt: 240°
- Automatic positioning without end-stop each after reset
- Standard input sockets: IN/OUT powerCON for power supply, IN/OUT DMX and IN/OUT Ethernet (Art-Net protocol)
- Internal Ethernet switch for IN/OUT daisy-chain connection to make it easy to connect bars up for pixel control in a matrix arrangement

- The length and width of the bar allow it to be assembled in horizontal and vertical matrices with a fixed distance between LEDs (100mm/4")
- Sockets within the dimensions of the bar to prevent accidental contact with adjacent trusses or bars in matrix arrangements
- Flight case for 5 units: 46 kg /101.41 lb (empty weight)

## WEIGHT AND DIMENSIONS (mm/inches)

■ 10 kg (22 lbs)





# SUPERSHARPY

A BEAM PUSHED TO THE NTH DEGREE



**SUPERHERO ID**

**NAME** SUPERSHARPY

**BORN** 2014

**SPECIAL FEATURES** A BEAM PUSHED TO THE NTH DEGREE

**LAMP** 470W, 7800K discharge lamp - 165,000 lux at 20 m

**OPTICS** Large 170 mm Ø front lens

**BEAM** Adjustable beam angle from 0 to 4°

**FOCUS** Focused images projections even tens of metres away

**WASH** Frost filter for soft-edge projection

**COLORS** CMY color mixing + 14 colors on 3 wheels

**GOBOS** 7 HQ dichroic rotating gobos and 18 fixed metal gobos

**PRISMS** 1 indexable rotating prism (8-facet)

**DESIGN** Patented Italian Design



# A.LEDA B-EYE K20 CC

## TOTAL COLOR AND COLOR TEMPERATURE CONTROL

code C61421



The A.leda B-EYE K20 CC is a special version of the B-EYE, designed for lighting designers who only want a wash light, but still want to be able to use the superior optical unit of Clay Paky's award-winning B-EYE (\*).

For this case, where no mid-air effects and graphic projections are needed, Clay Paky has created a "simpler" B-EYE version. Unlike the full version, the B-EYE CC does not provide control of each pixel and does not have a rotating front lens.

It is therefore an extraordinarily bright LED wash, with a perfectly uniform light, a wide zoom (from 4 to 60 degrees), and complete color and white light management. The B-EYE K20 CC is a "backbone" tool for TV studios, theatres, tours, corporate events, show rooms and theme parks.

(\*) Winner of the best lighting product award at PL+S, Plasa and LDI.

### SPECIFICATIONS

- Light source: 37 X 15W Osram Ostar RGBW LEDs
- Exclusive optical system, with 4°-60° zoom and perfect light diffusion.
- Invisible front grid
- Preset color macros
- 2500-8000 K color temperature correction
- Automatic adjustment of RGBW mixing to simulate light sources with particular color temperatures
- Halogen light emulation
- 0-100% electronic dimmer
- Adjustable stop/strobe, with instantaneous beam stop (1-25 flashes/s)
- Weight: 21 Kg (46.3 lbs)
- Size H: 589 mm (23.19"), W: 330 mm (13"), L: 395 mm (15.55")

# SHARPY WASH 330 PC

## A SPECIAL LENS FOR A SPECIAL VERSION

code C61379



The standard version of the award-winning Sharpy Wash is fitted with a Fresnel lens: the Sharpy Wash PC, with plano-convex lens, was created for those who want a uniform wash light, but at the same time prefer a more penetrating light with more pronounced edges.

From the effects point of view, the Sharpy Wash PC is identical to the standard version: full CMY color mixing, special colors, mechanical dimmer, a rotating beam shaper, two frost shades and a motorized top hat. However, with the PC lens, the zoom only varies from 7° to 43°. This is a slightly narrower range, but with a higher light output, especially at wide angles.

The compact, lightweight, quiet and fast Sharpy Wash PC is eco-friendly, with a comparable mechanical, lighting and graphics performance to a 1000 watt light. It is ideal for lighting designers and rental companies, since they can include a lot of lights in a project without increasing investments. They also benefit in terms of consumption and operating costs.

### SPECIFICATIONS

- 330 watt discharge lamp (8000 K, 1500 hours)
- Plano-convex lens for a less pronounced wash effect
- Light output comparable to a 1000 watt light
- Compact and lightweight: only 20.5 kg (45.2 lbs)
- Adjustable beam angle from 7° to 43°
- Motorized top hat which comes out with the zoom (Clay Paky patent)
- CMY color mixing + 11 color wheel + white
- Rotating indexable beam shaper.
- High speed movements and effects.
- Frosted smooth mechanical dimmer
- High speed stop/strobe effect
- Soft-edge filter + "heavy" frost filter
- Patented Italian eco-friendly design
- Available in the following colors: black, white, gold and chrome
- Weight: 20.5 Kg (45.2 lbs)
- Size H: 520 mm (20.47"), W: 330 mm (13"), L: 405 mm (15.94")



# STORMY

MORE THAN A STROBE. A REAL TEMPEST



## SUPERHERO ID



**NAME** *STORMY*

**BORN** *2014*

**SPECIAL FEATURES** *THE LATEST LED TECHNOLOGY MEETS THE CHARM OF A CLASSIC STROBE*

**LAMP** 144 x 7W Oscon OSRAM LEDs (5,700 K - 50,000 h)

**OPTICS** Perfect emulation of a bright Xenon strobe linear lamp

**ANGLE** 42° beam aperture and 130° spatial diffusion

**BRIGHTNESS** 80,000 lm (Stormy) - 40,000 lm (Stormy CC)

**COLORS** RGBW system (Stormy CC only)

**DIMMER** 0-100% adjustable dimmer

**PULSE CONTROL** Full control of strobe pulse duration and pulse rate

**BARNDOORS** Beam opening control by optional barndoors



## *BE SOCIAL!*

Follow us on:



AN OSRAM BUSINESS

CLAY PAKY S.p.A. - I - 24068 Seriate (BG) - Via Pastrengo, 3/b  
Phone +39 035 654311 - Fax +39 035 301876 - [www.claypaky.it](http://www.claypaky.it) - [info@claypaky.it](mailto:info@claypaky.it)