



Best Boy® Wash Luminaire

The PRG Best Boy® Wash luminaire features a 1500 watt arc source that generates over 60,000 lumens of light output. It is a precision engineered, automated luminaire with a quick 6 to 1 zoom optics system that allows for smooth, continuous adjustment of the beam from a narrow spread of 10 degrees to a wide flood of 60 degrees, all the while maintaining its intense output.

With a beam size iris that works hand-in-hand with the 6:1 zoom, the Best Boy Wash offers the maximum beam versatility in a single automated fixture.

The Best Boy Wash produces an even, clean white beam with no green tint and no hot spots. The Best Boy Wash CMY color-mixing system offers strong, saturated colors as well as a wide array of tints and lighter hues; a five-color fixed wheel includes a superior UV filter for blacklight effects and a minus green filter. The unique color temperature wheel allows designers to match color temperature from 3,200K to 8,000K and, along with the minus green filter on the fixed color wheel, is ideal for on-camera lighting.

Built-In LCD Touch Screen

The Best Boy Wash luminaire features a built-in LCD touchscreen display which provides access to control, configuration, status, and testing functions.



Sample Menu Screen



Features

SOURCE:	HTI 1500 lamp optics optimized for 60,000 lumens
OUTPUT:	60,000+ lumens
POWER DRAW:	10.5 Amps at 208V, 8.75 Amps at 240V Auto-sensing voltage input range is 170V to 270V
POWER FACTOR:	0.99
REFLECTOR:	Precision glass reflector with cold mirror coating
ZOOM RANGE:	6:1 from a narrow beam of 10° to a wide flood of 60°
BEAM SIZE CONTROL:	In addition to the zoom optics, a mechanical iris provides continuous beam size control for both rapid changes and smooth, timed beam angle changes
DIMMING:	Gray-scale glass dimmer for full-field dimming from 0% to 100% with accurate slow-speed control and fast bumps
STROBE:	Lightning fast strobe wheel
COLOR:	CMY color system featuring three (3) crossfading color wheels of Cyan, Magenta, and Yellow, plus one (1) fixed wheel with five (5) fixed filters
COLOR TEMPERATURE CONTROL:	Adjustable color temperature wheel, range from 3,200K all the way up to 8,000K. Also includes a minus green filter on the fixed color wheel
ROTATING GOBOS:	One (1) indexable, rotating gobo wheel with four (4) gobos
OPERATING TEMP:	0° to 120° F (18° to 49° C)
CONTROL:	Compatible with all PRG consoles and a wide variety of DMX512 and Art-Net consoles
ON-BOARD CONTROL:	Built-in LCD touchscreen display allows for on-board fixture control and feedback. On-board battery power allows for the fixture address and configurations to be set without having to apply AC power to the luminaire
PAN & TILT:	Three-phase stepper motors
RANGE:	Pan - 540°, Tilt - 260°
DMX:	26 channels

Best Boy® Wash Specifications

The Best Boy® Wash luminaire is an integrally designed, remote controlled, motorized luminaire. The housing and yoke are constructed of aluminum and steel for lightweight strength and are forced-air cooled. The unit utilizes an HTI 1500 lamp that produces 60,000+ lumens via enhanced optics. The lamp is easily changeable from the rear of the unit, eliminating the need to open the head for lamp access.

Two enclosed, three-phase stepper motors permit movement of the head on a horizontal plane of 540° and on a vertical plane of 260°. Control cabling runs internally to prevent tangling. The pan and tilt are belt-driven, providing positional resolution and repeatability of 0.2° on either axis. Manual override under power will not harm the drive mechanism. A manual tilt lock can be engaged to lock the head during transit.

The Best Boy Wash luminaire is equipped with an on-board microprocessor providing diagnostic and self-calibration functions. In the event the luminaire encounters any physical obstruction during calibration, the pan and tilt motors will automatically be disabled preventing damage to the mechanisms.

The luminaire contains a zoom optics system which provides a 6:1 zoom range from a narrow

beam of 10° to a wide flood of 60°. The unit contains a separate mechanical iris, which provides continuous beam size control for both rapid changes and smooth timed beam angle changes.

The luminaire is capable of full-field dimming from 0 to 100% with accurate slow-speed control and fast bumps using a gray-scale glass wheel. The graduated dimmer wheel allows for clean, smooth fades, especially at the low end of the dimming curve. The unit also contains an integrated strobe wheel for lightning fast strobe effects.

The Best Boy Wash luminaire contains three (3) crossfading color wheels of Cyan, Magenta, and Yellow, plus one (1) fixed wheel with five (5) permanently fixed color filters. The unit also contains a color temperature wheel that allows the color temperature to be adjusted down to 3,200K for a tungsten match, up to 8,000K for a daylight match. Three main CTO regions of the wheel (3200K, 3800K and 4500K) each occupy a full beam diameter with limited color temperature variability between, while a CTB region occupies a solid 8000K.

The luminaire contains one (1) indexable, rotating gobo wheel with four (4) gobos. Gobos are individually calibrated so the unit will automatically

index the orientation of each gobo regardless of placement. Positional accuracy of the gobo frame in reference to the beam is ensured by the microprocessor.

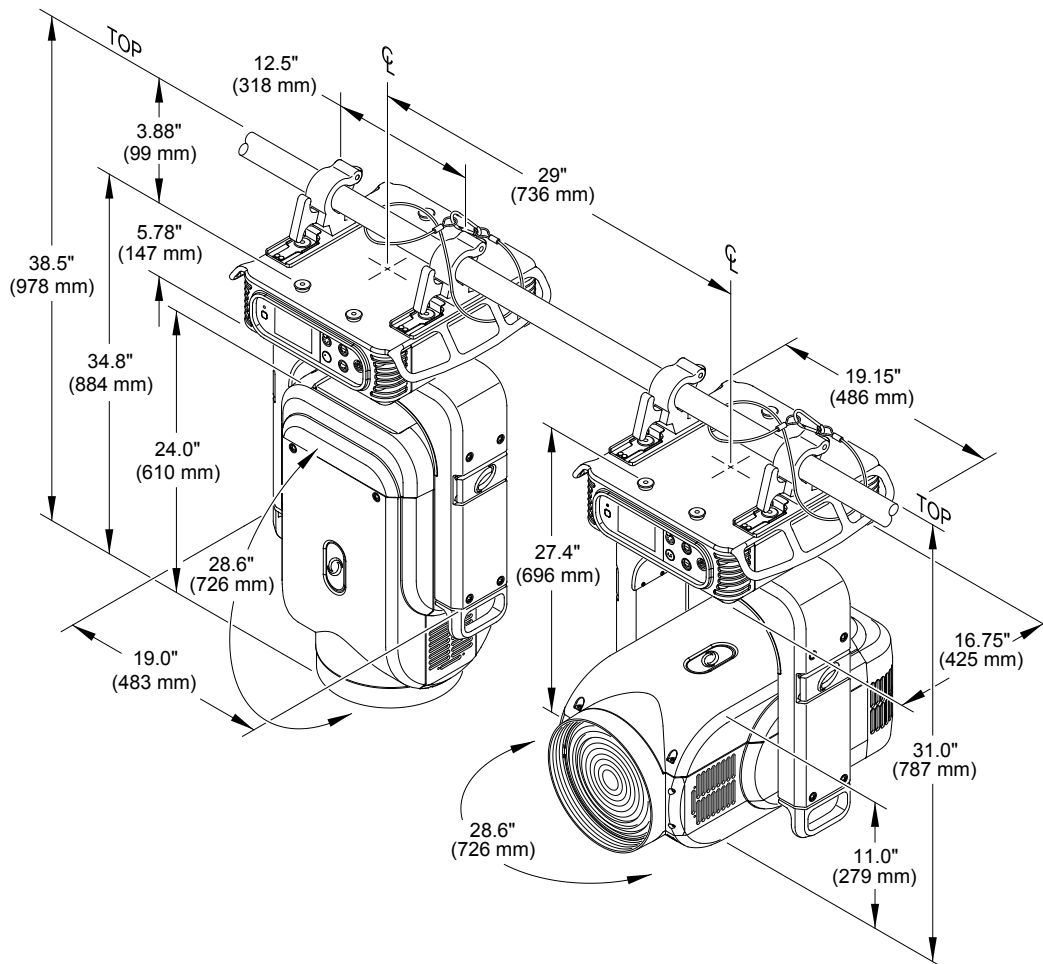
The unit is compatible with all PRG consoles and a wide variety of DMX512 and Art-Net consoles. An internal Ethernet switch allows for daisy-chaining fixtures with Ethernet and contains a relay that allows Ethernet data to pass through the luminaire when it is powered down.

The Best Boy Wash luminaire comes with a built-in LCD touchscreen display which allows for on-board fixture control and configuration as well as a color-coded status display for quick and accurate feedback along with notification of errors, which are also time-stamped and stored for later servicing. The on-board controller also includes built-in DMX diagnostics, showing real-time DMX information. The display is also battery powered, which allows for addressing and setting configuration. The display also fades out when not in use.

All main components are modular and easily removable for field servicing.

A safety cable is provided with each unit. Exterior finish is black powder coat. Fixture weight does not exceed 88 lbs (39.9 kg).

Dimensions



TOKYO
SHANGHAI
MELBOURNE
SYDNEY
LONDON
BIRMINGHAM
MAIDSTONE
HAMBURG
COLOGNE
FRANKFURT
MUNICH
BERLIN
DUSSELDORF
BRUSSELS
PARIS
UTRECHT
MADRID
ZURICH
CAPE TOWN
BUENOS AIRES
NEW YORK
NEW JERSEY
WASHINGTON DC
TORONTO
DETROIT
CHICAGO
NASHVILLE
ATLANTA
ORLANDO
DALLAS
DENVER
LAS VEGAS
LOS ANGELES

WWW.PRG.COM

POSITIONING:
Can be mounted in any orientation

SPACING:
Hangs on 29 inch (736 mm) centers

WEIGHT:
88 lbs (39.9 kg) without hooks

©2014 PRODUCTION RESOURCE GROUP, LLC. ALL RIGHTS RESERVED. SPECIFICATIONS ARE SUBJECT TO CHANGE WITHOUT NOTICE.

VERSION: MARCH 2014