



Best Boy 4000® Spot Luminaire

The PRG Best Boy 4000® Spot is a precision-engineered automated luminaire; with an all-inclusive feature set without compromising output or performance. The most advanced automated lighting fixture available, the Best Boy 4000 is purpose-built to be the ultimate designer's tool with high output and a feature set that includes shutters and an iris, superior speed and unmatched optical clarity.

Surpassing all comparable luminaires in energy-efficiency, the Best Boy 4000 draws 5-amperes at 208V and only 10-amperes at 110V. It uses a traditional MSR 700SA lamp and produces 20,000 lumens with an optical efficiency of over 31%.

With a beam size iris that works hand in hand with the 8:1 zoom and framing shutters, the Best Boy 4000 offers the maximum beam versatility in a single automated fixture. Using servomotors in critical areas throughout the unit guarantees that movements and functions are precise with fluid control over both rapid and slow movements.

The Best Boy 4000 produces an even, clean white beam with no green tint and no hot spots. Best Boy 4000's CMY color-mixing system offers strong saturated colors as well as a wide array of tints and lighter hues; a seven-color designer wheel includes a superior UV filter for blacklight effects. The unique color temperature wheel lets designers match color temperature from 3,000K to 7,500K and provides an integrated minus green filter, ideal for on-camera lighting. The new PRG Moiré Gobos™ give designers a new level of gobo effects and the high-definition optics maintain edge-tracking of gobos for clear focus throughout the entire zoom range (8°-64°).



Features

SOURCE:	MSR 700SA lamp; optics optimized for 20,000 lumens
OUTPUT:	20,000 lumens
POWER DRAW:	Max. 4.5A at 240 V, 5A at 208V, 10A at 110V. Auto-sensing voltage input range is 90V-264V, 50/60HZ
OPTICAL EFFICIENCY:	31%
REFLECTOR:	Precision glass reflector with cold mirror coating
ZOOM RANGE:	8:1 from a tight spot of 8° to a very wide flood of 64° maintaining focus throughout
BEAM SIZE CONTROL:	In addition to the zoom optics, a mechanical iris provides continuous beam size control for both rapid changes and smooth, timed beam angle changes
SHUTTERS:	Four-blade framing system features four, independent blades mounted in two planes. Each blade can be tilted +/- 30° and the entire frame system can be rotated +/- 60° for a total travel of 120°
DIMMING:	Gray-scale glass dimmer for full-field dimming from 0% to 100% with accurate slow-speed control and fast bumps
STROBE:	Servo-powered, lightning fast strobe wheel
EFFECTS:	1 multiplying four-facet prism, 2 glass effects, and variable frost
COLOR:	CMY color system featuring three (3) crossfading color wheels of Cyan, Magenta, and Yellow, plus one (1) designer wheel with seven (7) user-changeable color filters
COLOR TEMPERATURE CONTROL:	Adjustable color temperature wheel, range from 3,000K all the way up to 7,500K. Also includes an integrated minus green filter
ROTATING GOBOS:	Two (2) indexable, rotating gobo wheels with six (6) gobos per wheel. Gobos are individually calibrated so the unit will automatically index the orientation of each gobo regardless of placement. Both gobo wheels accept PRG Moiré Gobos™ for advanced gobo rotator effects
OPERATING TEMP:	-20° to 120°F (-29° to 49°C)
CONTROL:	Compatible with all PRG consoles and a wide variety of DMX512 and Art-Net consoles
ON-BOARD CONTROL:	Built-in LCD touchscreen display allows for on-board fixture control and feedback. On-board battery power allows for the fixture address and configurations to be set without having to apply AC power to the luminaire
PAN & TILT:	Three-phase, high-speed servomotors
RANGE:	Pan - 615°, Tilt - 260°
DMX:	45 channels

Built-In LCD Touch Screen

Best Boy 4000 features a built-in LCD touchscreen display which provides access to control, configuration, status, and testing functions.



Sample Menu Screen

Best Boy 4000® Spot Luminaire Specifications

The Best Boy 4000® Spot luminaire is an integrally designed, remote controlled, motorized luminaire. The housing and yoke are constructed of aluminum and steel for lightweight strength and are forced-air cooled. The unit utilizes a MSR 700SA lamp that produces 20,000 lumens via enhanced optics. The lamp is easily changeable from the rear of the unit, eliminating the need to open the head for lamp access.

Two enclosed, high-torque servomotors permit movement of the head on a horizontal plane of 615° and on a vertical plane of 260°. Control cabling runs internally to prevent tangling. The pan and tilt are belt-driven, providing positional resolution and repeatability of 0.2° on either axis. Manual override under power will not harm the drive mechanism. Pan and tilt locking mechanisms automatically unlock when power is applied to the fixture.

The Best Boy 4000 is equipped with an on-board microprocessor providing diagnostic and self-calibration functions. In the event the luminaire encounters any physical obstruction during calibration, the pan and tilt motors will automatically be disabled preventing damage to the mechanisms.

The luminaire contains a beam shaping system that consists of four independent blades mounted in two planes. Each blade can be tilted +/- 30° and the entire frame system can be rotated +/- 60°

for a total travel of 120°. Variable beam control through the zoom optics system provides an 8:1 zoom range from narrow spot of 8° to wide flood of 64°. The unit includes edge control that maintains gobo focus throughout the full zoom range. The unit contains a separate mechanical iris, which provides continuous beam size control for both rapid changes and smooth timed beam angle changes.

The unit is capable of full-field dimming from 0 to 100% with accurate slow-speed control and fast bumps using a gray-scale glass wheel. The graduated dimmer wheel allows for clean, smooth fades, especially at the low end of the dimming curve. The unit also contains a servo-powered strobe wheel for lightning fast strobe effects.

The Best Boy 4000 luminaire contains three (3) crossfading color wheels of Cyan, Magenta, and Yellow, plus one (1) designer wheel with user-changeable color filters. The unit also contains a color temperature wheel that allows the color temperature to be adjusted down to 3,000K for a tungsten match, up to 7,500K for a daylight match, or any color temperature within that range. The CT wheel also includes an integrated minus green filter.

The luminaire contains two (2) indexable, rotating gobo wheels with six (6) gobos per wheel. Gobos are individually calibrated so the unit will automatically index the orientation of each gobo

regardless of placement. Each gobo wheel also accepts Moiré Gobos™. Positional accuracy of the gobo frame in reference to the beam is ensured by the microprocessor.

The unit is compatible with all PRG consoles and a wide variety of DMX512 and Art-Net consoles. An internal Ethernet switch allows for daisy-chaining fixtures with Ethernet and contains a relay that allows Ethernet data to pass through the luminaire when it is powered down.

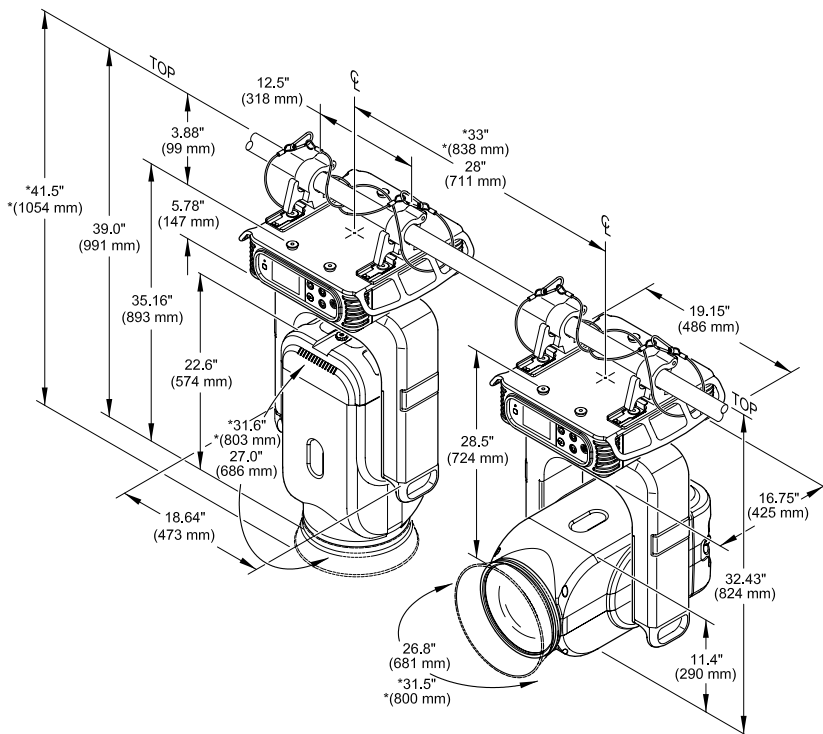
The luminaire comes with a built-in LCD touchscreen display allows for on-board fixture control and configuration as well as a color-coded status display for quick and accurate feedback along with notification of errors, which are also time-stamped and stored for later servicing. The on-board controller also includes built-in DMX diagnostics, showing realtime DMX information. The display is also battery powered, which allows for addressing and configuration. The display also fades out when not in use.

All panel edges, lids and doors have rubber gaskets for improved weather resistance of the luminaire.

All main components are modular and easily removable for field servicing.

A safety cable is provided with each unit. Exterior finish is black powder coat. Fixture weight does not exceed 110 lbs (50 kg).

Dimensions



*DIMENSIONS WITH FRUSTUM CONE EXTENDED

- TOKYO
- SHANGHAI
- MELBOURNE
- SYDNEY
- ADELAIDE
- LONDON
- BIRMINGHAM
- MAIDSTONE
- HAMBURG
- COLOGNE
- FRANKFURT
- MUNICH
- BERLIN
- DÜSSELDORF
- BRUSSELS
- PARIS
- UTRECHT
- MADRID
- ZURICH
- CAPE TOWN
- BUENOS AIRES
- NEW YORK
- NEW JERSEY
- WASHINGTON DC
- TORONTO
- DETROIT
- CHICAGO
- DEKALB
- ATLANTA
- ORLANDO
- NEW ORLEANS
- DALLAS
- DENVER
- LAS VEGAS
- LOS ANGELES

WWW.PRG.COM

POSITIONING:
Can be mounted in any orientation.

SPACING:
Hangs on 33 inch (838 mm) centers with nose cone.

WEIGHT:
110 lbs (50 kg) without hooks

BEST BOY 4000® IS A REGISTERED TRADEMARK OF PRODUCTION RESOURCE GROUP, LLC.
©2012 PRODUCTION RESOURCE GROUP, LLC. ALL RIGHTS RESERVED. SPECIFICATIONS ARE SUBJECT TO CHANGE WITHOUT NOTICE.
VERSION: APRIL 2012