

PRODUCT FEATURES

Lamp

- 1,000 W halogen lamp
- Type: 7002 Y Philips.
- Color temperature: 3,200 K.
- Average life: 300 h.
- Cap: G22.
- Luminous flux: 29,000 lm.
- Any working position.

Exclusive optics

- New optical unit with optimal luminous efficiency.
- 14° - 64° electronic linear zoom.
- Fresnel Lens: diameter 200 mm, focal length 140 mm.
- Top Hat for a perfect beam control.

Magical colors and effects

- CMY color mixing.
- Frost with linear variation.
- Indexable ovalizer.
- 0 - 100 % electronic dimmer.
- Stop/strobe effect.

Innovative Electronics

- Long life self-charging buffer battery.
- Pre-set macros.
- ON/OFF lamp control from the lighting desk.
- Function reset from the lighting desk.
- "HELP" function in the menu.
- "MEMO" function.
- "AUTOTEST" function.
- Possibility to upgrade the software through the DMX 512 input.
- Ethernet connection.
- Electronic control on each parameter.
- DMX level monitoring on each channel.
- Feedback information for each sensor and encoder.
- Electronic repositioning of the effects.

Accessories

Code 183102/801

Omega for Clamps fixing - supplied (2 pieces)



Code C52175

Clamps (hooks for truss) - not included

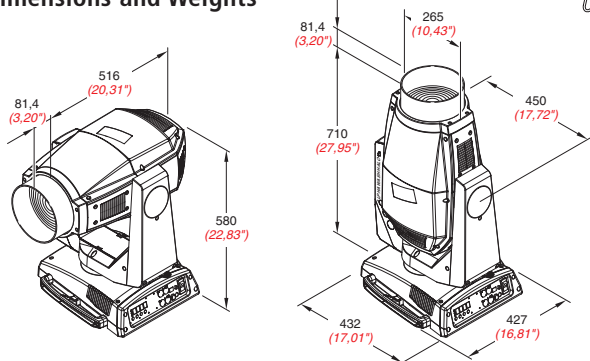


Code 105041/003

Safety cable - not included



Dimensions and Weights



26,8 kg 58 lbs 15 ozs

ALPHA WASH HALO: dimensions (mm/inches).

TECHNICAL DATA

Power supplies

- 200-240 V 50/60 Hz
 - 100-120 V 50/60 Hz
- The power supply can be changed over the built-in selector.

Input power: 1,100 VA at 230V 50Hz

Input: DMX 512.

Body

- Aluminium structure with die-cast plastic cover.
- Two side handles for transportation.
- Device locking PAN and TILT mechanisms for transportation and maintenance.

Moving body

- Angle:
 - PAN = 450°
 - TILT = 252°
- Maximum speeds:
 - PAN = 4.0 sec. (360°)
 - TILT = 3.2 sec. (252°)
- Resolution:
 - PAN = 1.76°
 - PAN FINE = 0.007°
 - TILT = 0.98°
 - TILT FINE = 0.004°
- Automatic repositioning of PAN and TILT after accidental movement not controlled by control unit.
- PAN and TILT lock on 4 and 5 positions respectively.

Cooling: Forced ventilation with axial fans.

Safety devices

- Bipolar circuit breaker with thermal protection.
- Automatic break in power supply in case of overheating.

Recommended working position

Functions in any position.

CE marking

In conformity with the European Union Low Voltage Directive 73/23 and Electromagnetic Compatibility Directive 89/336.

ALPHA WASH HALO

Channel	Standard	16 bit mode	Extended mode
Channel 1	Cyan	Cyan	Cyan
Channel 2	Magenta	Magenta	Magenta
Channel 3	Yellow	Yellow	Yellow
Channel 4	Stop/strobe	Stop/strobe	Stop/strobe
Channel 5	Dimmer	Dimmer	Dimmer
Channel 6	Frost	Frost	Frost
Channel 7	Ovalizer	Ovalizer	Ovalizer
Channel 8	Zoom	Zoom	Zoom
Channel 9	Pan	Pan	Pan
Channel 10	Tilt	Tilt	Pan fine
Channel 11	Reset	Pan fine	Tilt
Channel 12		Tilt fine	Tilt fine
Channel 13		Reset	Reset

Sales Codes

C 61075	ALPHA WASH HALO
L 10076	1000 W 230 V Halogen lamp (optional)
L 10077	1000 W 100 V Halogen lamp (optional)
L 10078	1000 W 240 V Halogen lamp (standard)
L 10079	1000 W 115 V Halogen lamp (standard)

CLAY PAKY S.p.A.
Via Pastrengo, 3/b - 24068 Seriate (BG) Italy
Tel. +39-035-654311 - Fax +39-035-301876
cp.sales@claypaky.it - www.claypaky.it



PROFESSIONAL SHOW LIGHTING