

# ALPHA SPOT EASY 1200



Alpha Spot Easy 1200 is a simple 1200W effects projector with high light output. It features all the qualities of the Alpha Range and offers unprecedented value for money.

Designed for nightclubs and bars, it is also ideal for concert tours and architectural lighting, whenever you need high quality at low cost.

It features a 15°-40° electronic linear zoom, 14 gobos (including 6 rotating ones), 2 color wheels, a prism, 2 frost filters, an iris, a 0-100% dimmer and a stop/strobe. It also has useful macros on the strobe, iris and gobos.

Simple yet packed with features, Alpha Spot Easy 1200 is the most competitive product on its market.



PROFESSIONAL SHOW LIGHTING

## Product features

### Lamp

The projector comes with a 1200W/6000K metal iodide lamp (Osram or Philips), chosen by Clay Paky according to availability (code **L10100**).

Alternatively, you can order a 1200W/7500K lamp.

- Cap: Sfc 10-4.
- Luminous flux: 110.000 lm.
- Average Life: 750 h.
- Hot Restrike.

**L10055** HTI 1200W/D7/60 (6000K) Osram lamp

**L10083** MSR 1200W/SA DE GOLD (6000K) Philips lamp.

**L10082** HTI 1200W/D7/75 (7500K) Osram lamp

### Optics

- Optical unit with optimal luminous efficiency.
- 15°- 40° Electronic Linear Zoom.
- Electronic focusing.

### Color system

- Two Color Wheels (6+6 pure and selected filters). All filters are easily replaceable with as many gobos.
- CTO and CTB filters.

### Effects section

- Graphic system (14 gobos):
  - 1 Rotating Gobo Wheel with 6 bidirectional, indexable and easily interchangeable gobos. Selectable "Gobo shake" function. "Morphing" effect.
  - 1 wheel with 8 Fixed and easily interchangeable Gobos, variable rotation and selectable "Gobo shake" function. Magnetic "fast clamping" system to quickly switch with other gobo wheels personalized upon request.
- 9-faced prism + 2 frost filters.
- High speed mechanical Iris.
- 0-100% Dimmer.
- Stop/strobe effect.

### Electronics and other features

- Long life self-charging buffer battery.
- Pre-set macros.
- "ENERGY SAVING" function: with the stop or total dimmer effect on, consumption cut by 50%.
- ON/OFF lamp control from the lighting desk.
- Function reset from the lighting desk.
- "HELP" function in the menu.
- "MEMO" function.
- "AUTOTEST" function.
- Possibility to upgrade the software through the DMX 512 input.
- Ethernet connection.
- Electronic control on each parameter.
- DMX level monitoring on each channel.
- Feedback information for each sensor and encoder.
- Electronic repositioning of the effects.

## Technical data

### Power supplies

- 220 - 240 V, 50 Hz • 200 - 220 V, 60 Hz

### Ballast

Magnetic Ballast.

**Input power:** 1.550VA at 230V 50Hz (with PFC).

**Input:** DMX 512.

### Body

- Aluminium structure with die-cast plastic cover.
- Two side handles for transportation.

### Moving body

- Angle: - PAN = 450° - TILT = 252°
- Maximum speeds:
  - PAN = 4.0 sec. (360°) - TILT = 3.2 sec. (252°)
- Resolution:
  - PAN = 1.76° - PAN FINE = 0.007°
  - TILT = 0.98° - TILT FINE = 0.004°
- Automatic repositioning of PAN and TILT after accidental movement not controlled by control unit.
- PAN and TILT lock on 4 and 5 positions respectively.

### Cooling

Forced ventilation with axial fans.

### Safety devices

- Bipolar circuit breaker with thermal protection.
- Automatic break in power supply in case of overheating.

### Recommended working position

Functions in any position.

### CE marking

In conformity with the European Union Low Voltage Directive 73/23 and Electromagnetic Compatibility Directive 89/336.

### Accessories

#### Code 183102 / 801

Omega for Clamps fixing supplied (2 pieces)



#### Code C52175

Clamps (hooks for truss) - not included

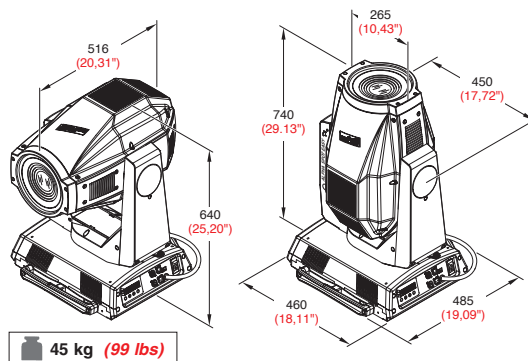


#### Code 105041 / 003

Safety cable - not included



### Dimensions (mm) and weight



### Sales codes

**C 61067** ALPHA SPOT EASY 1200

**L 10100** 1200W/6000K lamp for Alpha series (Osram or Philips)

**F 21170** Foam shell

**F 21162** Flight case for 2 projectors (including 2 foam shells)

### DMX CHANNELS

	Standard	16 bit	Extended
Channel 1	Color Wheel 1	Color Wheel 1	Color Wheel 1
Channel 2	Color Wheel 2	Color Wheel 2	Color Wheel 2
Channel 3	Stop/Strobo	Stop/Strobo	Stop/Strobo
Channel 4	Dimmer	Dimmer	Dimmer
Channel 5	Iris	Iris	Iris
Channel 6	Fixed Gobo Change	Fixed Gobo Change	Fixed Gobo Change
Channel 7	Rotating Gobo Change	Rotating Gobo Change	Rotating Gobo Change
Channel 8	Gobo Rotation	Gobo Rotation	Gobo Rotation
Channel 9	Frost/Prism/Lens Change	Frost/Prism/Lens Change	Gobo Rotation Fine
Channel 10	Focus	Focus	Frost/Prism/Lens Change
Channel 11	Zoom	Zoom	Focus
Channel 12	Pan	Pan	Zoom
Channel 13	Tilt	Tilt	Pan
Channel 14	Reset	Reset	Pan Fine
Channel 15	Lamp on/off	Lamp on/off	Tilt
Channel 16		Pan Fine	Tilt Fine
Channel 17		Tilt Fine	Reset
Channel 18		Gobo Rotation Fine	Lamp on/off



PROFESSIONAL SHOW LIGHTING

CLAY PAKY S.p.A.

Via Pastrengo, 3/b - 24068 Seriate (BG) Italy - Tel. +39-035-654311 - Fax +39-035-301876

cp.sales@claypaky.it - [www.claypaky.it](http://www.claypaky.it)