

VL4000 BeamWash Luminaire

Programmable Functions

Color System:

A three filter CYM cross fading system capable of extremely smooth movements at both slow and fast speeds, and a variable CTO color temperature correction system. Two opposing fixed color wheels each with five interchangeable color filters are capable of producing multi-color effects and variable wheel rotations.

Fixed Color Wheels:

Wash Mode:

Wash Zoom Optics:
Beam Shaping:

A 6-element 6:1 zoom optics system, covering a range from 10° to 60°. Unique indexing and rotating beam shaping alters output from round to elliptical with minimal light loss. Variable hot spot/ edge adjustment provides a multitude of different wash styles.

Edge and Hot Spot Control:

Beam Mode:

Beam Zoom Optics:
Beam Size Control:

A 6-element 10:1 zoom optics system, covering a range from 4° to 40°. A mechanical iris provides continuous beam size control for rapid and smooth timed beam angle changes. Zero degree beam angle is possible with nearly fully closed iris. Two gobo wheels combine to each offer seven rotatable, indexable gobo positions and one open position.

Rotating Gobo Wheels:

A dynamic animation wheel offers unique rotatable, indexable patterns with variable motion control from horizontal to vertical.

Animation Wheel:

Independent rotating and indexing 5-facet step prism.

Rotating Prism:
Lenticular Effect:

Unique indexing and rotating lenticular effect alters output from round to rectangular and to create extruded gobo imagery.

Edge and Pattern Focus:

Variable beam focus to soften edges of gobos or spots. Remarkable depth of field capability allows morphing effects between gobos and the animation wheel.

Shaft Mode:

Shaft Optics:
Beam Size Control:

4° adjustable to near 0° with iris.

Rotating Gobo Wheels:

A mechanical iris provides continuous beam size control for rapid and smooth timed beam angle changes.

Animation Wheel:

Two gobo wheels combine to each offer seven rotatable, indexable gobo positions and one open position.

Rotating Prism:
Lenticular Effect:

A dynamic animation wheel offers unique rotatable, indexable patterns with variable motion control from horizontal to vertical.

Independent rotating and indexing 5-facet step prism.

Edge and Pattern Focus:

Unique indexing and rotating lenticular effect alters output from round to rectangular and to create extruded gobo imagery.

Variable beam focus to soften edges of gobos or spots. Remarkable depth of field capability allows morphing effects between gobos and the animation wheel.

Intensity Control:

Strobe:
Pan and Tilt:
Range:

Full field dimming designed for smooth timed fades as well as quick dimming effects.

High-performance dual blade strobe system capable of ultra-fast operation.

Smooth, time-controlled continuous motion by way of three-phase stepper motor systems.

Pan - 540°, Tilt - 270° / **Accuracy:** 0.3° resolution.

Description

Source:

1200W Philips MSR Gold FastFit lamp (rated for 800-1400W operation) running at 1400W in Standard mode or 1200W in Studio mode.

Color Temperature:
Fixture Output:

6000K
Standard Mode: 43,000 lumens
Studio Mode: 35,000 lumens

Reflector:

Power Requirements:

Precision glass reflector system with dichroic cold mirror coating.

Standard AC power distribution from 200 - 240VAC, 50/60 Hz. The unit requires up to 11.0 A depending on the AC supply voltage.

Menu System:

Operational Temperatures:

Full color LCD with battery powered control.

Standard Mode: -20° to 104°F (-29° to 40°C)

Studio Mode: -20° to 122°F (-29° to 50°C)

Cooling:

Forced air cooling.

DMX Control:

Completely compatible with a wide variety of DMX512 consoles.

DMX Channels:

46 Channels (Enhanced 16-Bit Mode) / 41 Channels (16-Bit Mode)

RDM Control:

Completely compatible with a wide variety of RDM devices.

Mounting Position:

The VL4000 Spot luminaire can be mounted and operated in any orientation and includes multiple mounting bracket options.

Spacing / Weight:

Hangs on 30 in. (76.2 cm) centers / 101 lbs (45.8 kg)

Ordering Information

Luminaires:

20.9704.0002

Accessories:

71.9704.1200

22.9620.0194

PEGASUS

55.6840.0001

55.6841.0001

PCT1BE

PCT1GTL208

PCT1GP

VL4000 BeamWash Luminaire, Black, Includes 1200W Short Arc Lamp

1200W Short Arc Lamp, Philips MSR Gold FastFit

Safety Cable Assembly

Luminaire Programming Kit

Truss Hook, Mega-Clamp (For round and square pipe)

Truss Hook, Mega-Claw (For 2" round pipe)

AC Input Cable, Neutrik® powerCON® True1 with Bare End (no connector), 1 Meter

AC Input Cable, Neutrik® powerCON® True1 with Twist Lock (Male), 250V, 1 Meter

AC Input Cable, Neutrik® powerCON® True1 with Stage Pin (Male), 1 Meter



Sharing many of the VL4000 Spot design principles, the VL4000 BeamWash combines stunning wash capabilities with intense beam functionality as well as the ability to produce a powerful collimated shaft of light. Now, one single unit can serve multiple uses without changing lenses or adding additional fixtures - the perfect luminaire for wash, beam, and shaft looks on any stage.

The VL4000 BeamWash produces an amazing 43,000 lumens from its 1200W lamp in Standard mode, while the DMX selectable Studio mode produces 35,000 lumens in near silence. The luminaire's large 10 inch front lens illuminates fully providing incredible point-of-source imagery. High-quality pan and tilt motors ensure both amazingly fast and impressively slow movement abilities.

When used in wash mode, the luminaire provides a remarkably even wash of intense light with variable hot spot/edge control. The 10 to 60 degree zoom range allows for a broad range of usage, while the indexable and rotating beam shaping alters the output from round to elliptical.

By simply adjusting a DMX value, the VL4000 BeamWash shifts from a soft wash to an intense beam luminaire with an amazing 4 to 40 degree beam angle. A multitude of images are available from two seven position gobo wheels and a variable animation wheel. A high speed mechanical iris and an independent 5-facet rotating step prism further add to the graphical abilities whether used to create stunning aerials or exciting projections. A unique lenticular feature allows the output to be further modified to create a rectangular hard edge or extruded gobo imagery.

The DMX selectable shaft mode allows the VL4000 BeamWash luminaire to also function as a powerful, collimated ray of light. The 4 degree beam angle can be further reduced to near zero degrees with the mechanical iris. In addition, all of the standard features such as gobos, animation wheel, prism, and color mixing function fully when utilizing shaft mode.

The VL4000 BeamWash includes the Infinity Color Mix system providing incredibly smooth color changes and instantaneous snaps. Two five-position fixed color wheels and variable color correction further add to the color abilities. The luminaire also contains unbelievably smooth dimming flags which when combined with independent shutter blades delivers unmatched dimming and strobing abilities.

The VL4000 BeamWash includes a battery-backed, full-color LCD menu system, intuitive time capabilities, and multi-point connections allowing the luminaire to be hung at any angle.

PHILIPS

VARI***LITE**

VL4000 BeamWash Luminaire

Specifications

The unit is an integrally designed, remote-controlled, motorized wash, beam and shaft luminaire. The head, yoke and enclosure housings are constructed of aluminum alloy for light weight, strength and durability. Low-noise fans provide forced-air cooling for internal components. The rear cap provides easy access to the lamp for replacement. Oversized upper-enclosure handles allow for easier hanging and loading.

A single Neutrik® powerCON® True1 input connector along with two, five-pin DMX512 compatible connectors (in and through) are provided. The unit can be controlled from a wide variety of DMX512 consoles and also supports RDM. An integrated USB connector provides firmware update and diagnostic abilities.

Each unit is equipped with an on-board processor providing diagnostic and self-calibration functions as well as internal test routines and software update capabilities. A full color LCD menu system with battery operation provides luminaire feedback and manual options settings.

The unit includes integral pan and tilt locks.

The unit contains two independent three-phase stepper motors to provide movement of the head through 540° in the horizontal plane (pan) and 270° in the vertical plane (tilt). The pan and tilt mechanisms are belt-driven, providing positional resolution and repeatability of 0.3° on either axis.

DMX selectable optical modes alter the unit's capabilities between wash, beam and shaft output styles. A 6:1 zoom optics system adjusts the projected wash field angle over a range of 10° to 60°. A 10:1 zoom optics system adjusts the projected beam field angle over a range of 4° to 40°. A 4° optics system provides a narrow shaft output adjustable to near 0° with the iris. Variable beam focus is provided to soften the edges of gobos or spots and to provide gobo morphing. The projected image remains in focus throughout the entire zoom range.

The unit contains a CYM color mixing system, as well as variable CTO color temperature correction.

Two color wheels capable of continuously spinning are also included. Each of the two wheels holds five interchangeable dichroic colors to allow for custom configurations. The unit comes equipped with a standard palette of dichroic color filters.

A lenticular beam shaping mechanism provides indexing and rotating beam shaping to alter output from round to elliptical with minimal light loss. When combined with patterns extruded imagery is possible.

Unit has two seven-position gobo wheels. Each contains individually rotating, indexable gobos and patterned glass effects. The rotating gobos are easily interchangeable to allow customization of the unit. The unit comes equipped with a standard set of gobos and effects. (A wide selection of colored and patterned gobos and effects is available from Vari-Lite.)

A rotating, indexing animation wheel provides variable horizontal and vertical movement effects.

The unit contains an independent rotating and indexing 5-facet step prism.

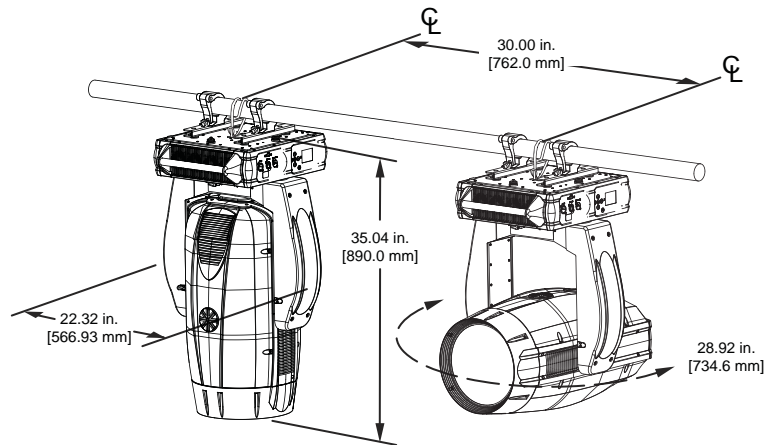
A mechanical iris provides continuous beam size control for rapid and smooth timed beam angle changes.

The unit contains a patterned glass dimmer system that provides full field dimming and allows for smooth timed fades and fast blackouts.

A dual blade strobe and dousing system provides variable strobe effects capable of rapid operation.

The unit shall be ETL and ETLc certified and CE-marked. Exterior finish is black.

Hanging Dimensions



Note: _____
Shown with optional safety cables, clamps, etc.

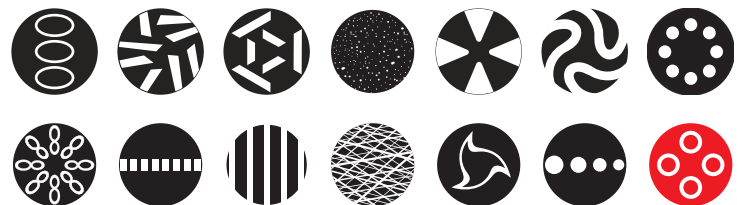
VL4000 BeamWash Luminaire - Lumen Output

VL4000 BeamWash Luminaire (Standard Mode):	43,000 Lumens
VL4000 BeamWash Luminaire (Studio Mode):	35,000 Lumens

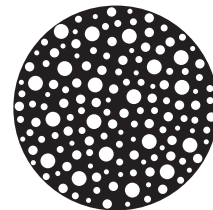
Notes:

- * Values shown are preliminary data and subject to change.
- * Average lumens shown as measured with seasoned lamps with luminaires at full.


VL4000 BeamWash Luminaire - Gobos



VL4000 BeamWash Luminaire - Animation Wheel



PHILIPS
VARI*LITE

©2015 Philips Group. All rights reserved. Printed in the U.S.A. We reserve the right to change details of design, materials and finishes. Some features may be the result of future software updates. Specifications are subject to change without notice. VARI*LITE automated lighting equipment is made in the U.S.A.



Vari-Lite
10911 Petal Street
Dallas, TX 75238
1.877.VARILITE
fax: 214.647.8038
www.vari-lite.com



VL4000_BeamWash - 31715_NA_EUA